

LIGHTING FIXTURE SCHEDULE

TYPE MARK	QTY	DESCRIPTION	MANUFACTURER	MODEL	COLOR / FINISH	LAMPS / WATTS	MOUNTING	COMMENTS
A	8	4' METAL PENDANT	CUSTOM	-	ANTIQUE NICKEL	(3) 12W LED	SUSPENDED @ 7'-6" A.F.F.	(3) A19 SOCKETS; SEE LIGHT FIXTURE "A" DETAILS
B	48	6" SQUARE METAL PENDANT	CUSTOM	-	ANTIQUE NICKEL	12W LED	SUSPENDED @ 6'-8" A.F.F.	(1) A19 SOCKET; SEE LIGHT FIXTURE "B" DETAILS
C	3	LINEAR PENDANT	ULTRA LIGHTS LIGHTING	09175 ELLIPSE	TBD	(3) 12W LED GU24 BASE (DIMMABLE)	SUSPENDED @ 6'-0" A.F.F.	
E1	17	RECESSED CAN	CONTRAST	T3450-11 NW3000LE	WHITE TRIM WITH ALUMINUM REFLECTOR	37W MR16	RECESSED	
E2	32	RECESSED CAN	-	T3450-02BK NW3000LE	BLACK TRIM AND REFLECTOR	37W MR16	RECESSED	
EX	13	EXISTING TO REMAIN	-	-	-	-	RECESSED	
F1	7	RECESSED CAN - DIRECTIONAL	CONTRAST	T7025-01 NW7000E	WHITE	37W MR16	RECESSED	
F2	11	RECESSED CAN - DIRECTIONAL	CONTRAST	T7025-02 NW7000E	BLACK	37W MR16	RECESSED	
H	4	LONG ARM WALL SCONCE	HI-LITE MANUFACTURING CO.	H-15115-BK01/SP-B-20-91/ARM TO BE 42" IN PROJECTION/BACKPLATE TO BE 22" TALL/ARM TO HAVE 17" DROP STEM	BK01 BLACK TEXTURE	40W INCANDESCENT	WALL	CONTACT MARISSA GESELL AT mgesell@alliancelighting.com
J	4	LINEAR WALL SCONCE	AAMSCO	LED-50	ANTIQUE NICKEL	6W LED	SURFACE (VERTICAL)	
K	14	RECESSED CAN	CONTRAST	S3450-01 NW3000LE	WHITE TRIM	37W MR16	RECESSED	
M	2	13 LF (V.I.F.) LED ROPE LIGHT	AMERICAN LIGHTING	FLEXBRITE CUSTOM CUT ULRL-LED-UWW-CC	WARM WHITE	1W / FT	SURFACE MOUNT INSIDE WOOD FIRE BOXES WITH DL-TRACK-4 OR DL-CLIP/SCREW	VERIFY LENGTH NEEDED IN FIELD
N	3	EXTERIOR WALL SCONCE	EXISTING	-	-	-	-	NEW WALL SCONCE TO REPLACE EXISTING IN SAME LOCATION
P	50	OUTDOOR STRING LIGHTS	-	MAX 330' MEDIUM BASE IN-LINE SOCKETS	BLACK	0.5W LED S14 WARM WHITE	SUSPEND 6" FROM CEILING	
Q	4	PATIO HEATERS	SUNPAK	S34TSR WITH REMOTE, NATURAL GAS	STAINLESS STEEL	-	SUSPENDED FROM CEILING	INSTALL AT A TILT USING CLEARANCES PER MANUFACTURER'S INSTRUCTIONS
R1	1	RELOCATED EXISTING RECESSED CAN	-	-	-	-	RECESSED	
R2	2	RELOCATED EXISTING 2X4 TROFFER	-	-	-	-	RECESSED	
T	4	EXTERIOR CEILING FAN	CRAFTMADE	OPXL52FB / B552S-OFB	FLAT BLACK	-	SUSPENDED	UL LISTED
U	1	EXTERIOR PENDANT	RESTORATION HARDWARE	STEEL POLYHEDRON PENDNANT MEDIUM 68060160	RUST	60W INCANDESCENT	SUSPENDED	UL LISTED

ULTRALIGHTS

lighting with the human element

TYPE 'C'



09175

47"l x 10"h x 12"w; 13"-96" adj OAH
08: WRL - CFL - 4 x GU24 - 26W max ea
Opal Acrylic Diffuser

Standard Finishes:

AC, BK, BA, CB, CR, DI, MB, RU, SB, SP, SS, WH

Premium Finishes:

(up-charge may apply)
ANP, BCP

Standard Diffusers:

OA

Premium Diffusers:

(up-charge may apply)
WS, FA, TS, CO, IJ

Available Lamping options:

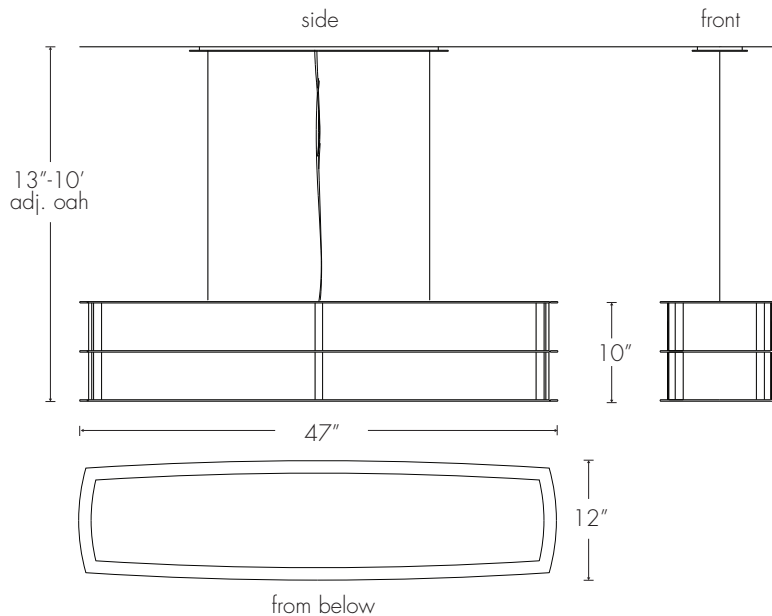
(up-charge may apply)

04: LED - 34W

06: CFL - 2 x 36W Biax 2G11

07: CFL Dim - 2 x 36W Biax 2G11

10: WRL - 4 x E26 - for LED retrofit 20W max ea



LED

T3450

3 1/2" 3000 SERIES

Low profile regressed trim

Project:

Notes:

TYPE 'E'

Type of fixture:

Date:

SPECIFICATIONS

Compatible lamps MR16 20-50W
GU10 50W

Conformance cULus certified for **damp location**

Reflector	Standard	Anodized	Specular
	Anodized aluminium	AZ Azure	BL Black
		BO Burnt Orange	CH Champagne
		CB Cobalt Blue	CL Clear
		IG Inca Gold	Painted
		RU Ruby	-01 White
			-02 Black
			-11 Matte White

Compatible housings	GU10 50W	MR16 35W	MR16 50W	Remodel
	New construction	IC	IC	
	NW3000LT	ISMR3000E35	ISMR3000M	IT3000E
	IC	MR16 20W	New construction	IT3000M
	ISMR3000T	IC	NW3000LE	IT3000LE
	Remodel	ISMR3000E20	NW3000LM	IT3000LM
	IT3000LT	ISMR3000M20	NW3000CE	
			NW3000CM	

AVAILABLE FINISHES

-01 White	-05 Architectural Bronze	-12BR Brushed Nickel
-02 Black	-06 Antique Copper	-13 Satin Nickel
-03 Gold Plated 24k	-07 Antique Brass	-14 Almond
-04 Chrome	-08 Antique Silver	-15 Metallic Grey
-04BR Brushed Chrome	-11 Matte White	-16 Satin Chrome

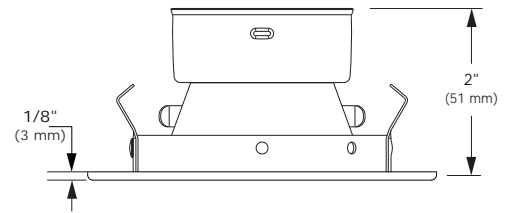
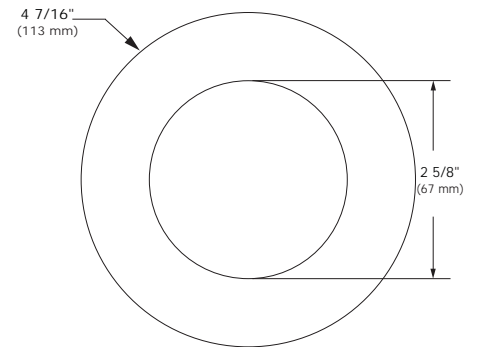
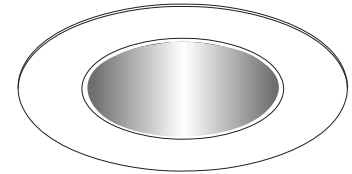
MARINE GRADE

Unless otherwise indicated, trims are for interior use only. For exterior use and up to wet conditions, MARINE GRADE treatment is recommended. Available for finishes -01, -02, -05, -06, -11, -14 and -15 only.

ORDERING CODE

EXAMPLE **T3450-01AZ**

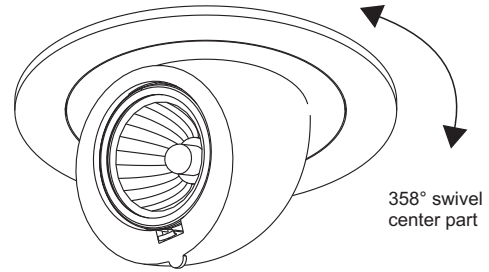
T3450	-01	AZ	
Trim code	Finish Required: See list of available finishes	Reflector Default: Anodized aluminium Optional: See list above	Marine Grade MG



4 1/4" 7000 SERIES

T7025

ROUND FACE ELBOW TRIM



YES



MR16 35-50W, MR16 IR 37-50W



ISMR7000E35, ISMR7000M35



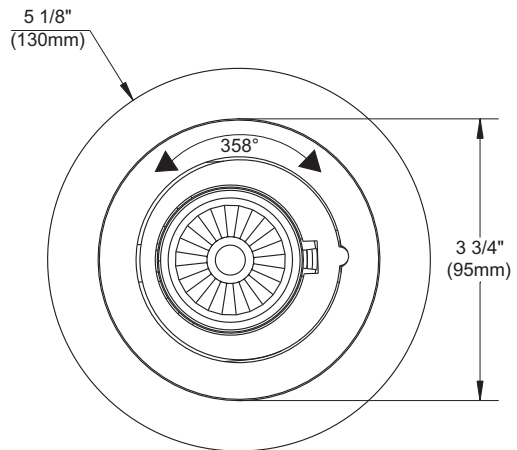
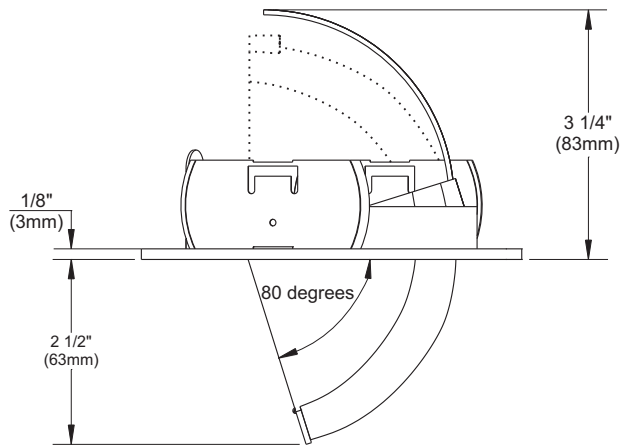
NW7000M, NW7000E



IT7000E, IT7000M

COMPATIBLE HOUSINGS

35W MR16	MAX 50W MR16 / 50W MR16 IR
ISMR7000E35	IT7000E
ISMR7000M35	IT7000M
	NW7000E
	NW7000M



TRIM FINISHES

-01 WHITE	-05 ARCHITECTURAL BRONZE	-12BR BRUSHED NICKEL
-02 BLACK	-06 ANTIQUE COPPER	-13 SATIN NICKEL
-03 24K GOLD	-07 ANTIQUE BRASS	-14 ALMOND
-04 CHROME	-08 ANTIQUE SILVER	-15 METALLIC GREY
-04BR BRUSHED CHROME	-11 MATTE WHITE	-16 SATIN CHROME

Unless otherwise indicated, trims are for **interior use only**. For exterior use and up to wet conditions, **MARINE GRADE** treatment is **recommended**. Available for finishes -01, -02, -05, -06, -11, -14 and -15 only. This 7000 die cast aluminium trim series does not require **MARINE GRADE** treatment.



Project _____

Representative _____



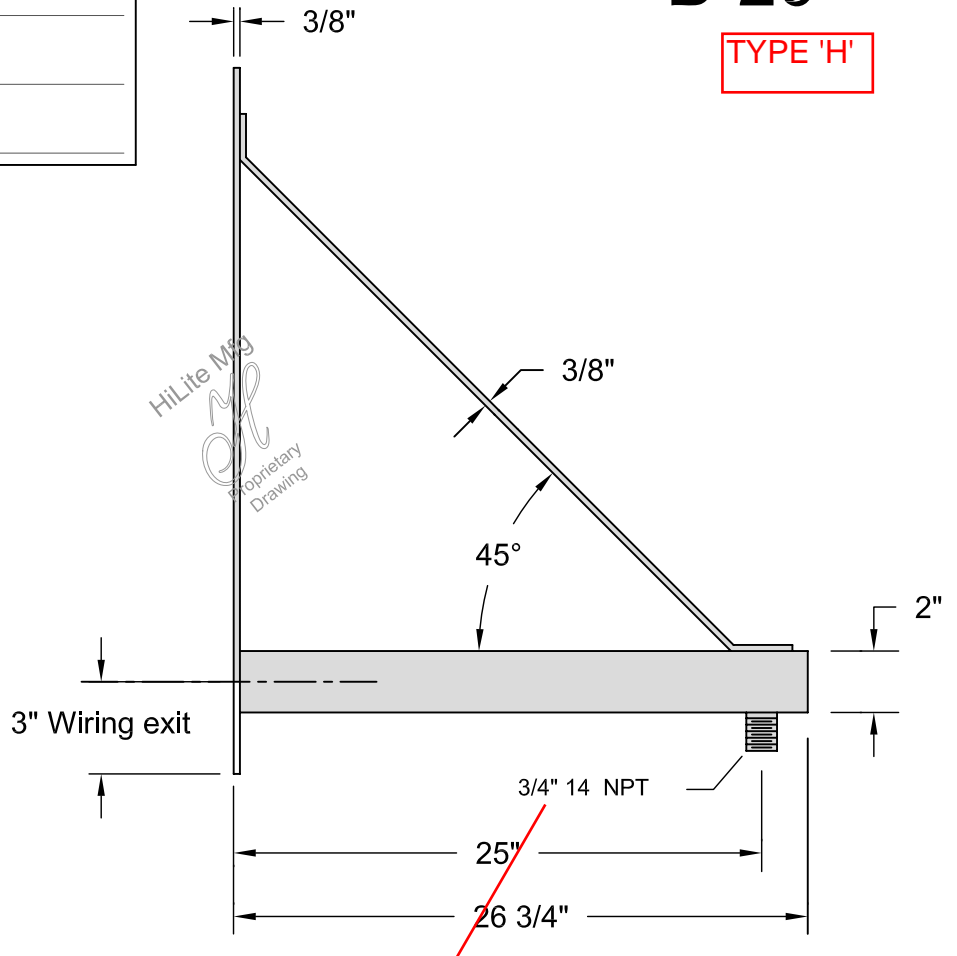
HI-LITE MFG. CO., INC

13450 Monte Vista Avenue
Chino, California 91710
Telephone: (909) 465-1999
Toll Free: (800) 465-0211
Fax: (909) 465-0907
www.hilitemfg.com

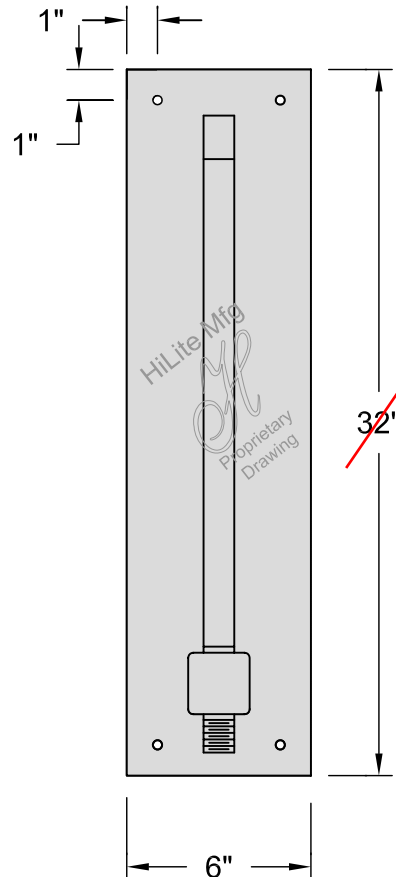
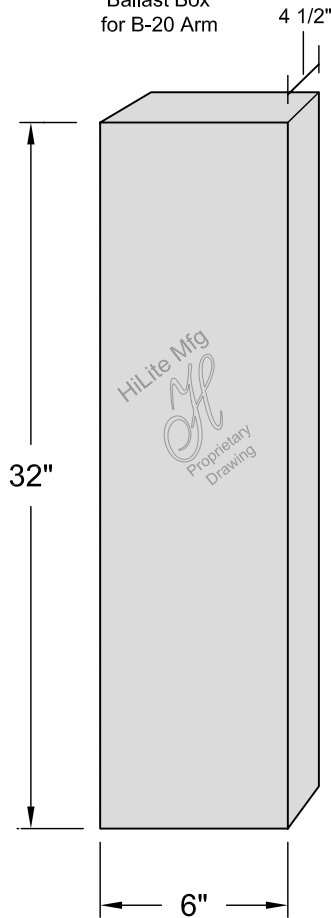
Job Name: _____
Type: _____
Quantity: _____

B-20

TYPE 'H'



BBB20
Ballast Box
for B-20 Arm



MATCH CUSTOM
DIMENSIONS

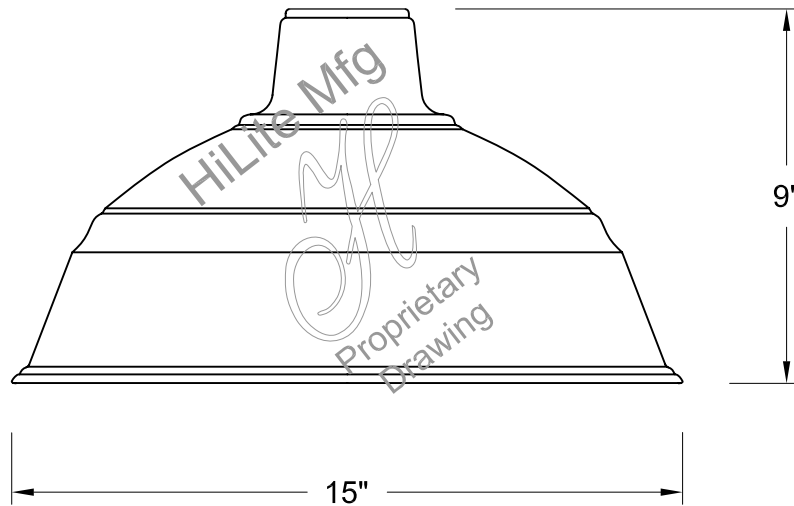


HI-LITE MFG. CO., INC

13450 Monte Vista Avenue
Chino, California 91710
Telephone: (909) 465-1999
Toll Free: (800) 465-0211
Fax: (909) 465-0907
web: www.hilitemfg.com
e-mail: sales@hilitemfg.com

H-15115 Warehouse Shade Collection

Job Name:	<input type="text"/>
Type:	<input type="text" value="TYPE 'H'"/>
Quantity:	<input type="text"/>



FINISH -Multi-stage pretreatment procedure using materials of polyester/polished powder coat, baking enamel liquid, raw metals, and galvanized finishes.

Standard Finishes are: 91(Black), 93(White), 95(Dark Green), 96(Galvanized), BR47(Powder Coat Rust), BK01(Black Texture), GN20(Powder Coat Patina).

Upgraded Finishes are: 29, 66, 82, 90, 92, 94, 97, 99, 100, 103, 104, 105, 110, 112, 113, 114, 115, 117, 118, 119, 120, 127, 128, 129, 133, 134, 135, 136, 138, 139, 140, 11, 98, 101, 102, 137, 121, 122, 123, 124, 125, 126, 01, 22, 25, 33, 77, 89, 24, 44, 48, 49, 15, 16, 55.

(Custom finishes available).

For interior finish of fixture refer to color chart on pages 344-348.

REFLECTOR - Heavy duty, spun shade, aluminum 6061-0 and/or 1100-0, galvanized 22 gauge, steel 20/22 gauge, copper 032/040 and brass 032/040 construction. Dependant on finish.

SOCKETS/LAMPS - Available in:

Incandescent

- rated 100 watt max/120 volt, medium base.

ACCESSORIES - CGU(Cast Guard and Glass), WGU(Wire Guard and Glass), WGR(Wire Guard), SK(Swivel Knuckle) and FX(Flexible tubing for cord mounted fixture only) available.

MOUNTING - Cord, Stem, Arm, and Flush mounting available.

MADE IN THE U.S.A.

Suitable for wet location.
(Except when cord mounted)



TYPE 'H'



**HI-LITE MFG.
CO., INC.**

13450 Monte Vista Avenue
Chino, California 91710
Telephone: (909) 465-1999
Toll Free: (800) 465-0211
Fax: (909) 465-0907
www.hilitemfg.com



Job Name:

Type:

Quantity:

Notes:

BK01 (Black Texture) White Interior Finish, Exterior Rated

Hi-Lite Manufacturing Co., Inc. 13450 MONTE VISTA AVENUE, CHINO, CALIFORNIA 91710 Toll Free:800.465.0211 Phone: 909.465.1999 Fax: 909.465.0907 EMAIL: Sales@hilitemfg.com Confidential and Proprietary. The information contained on this page is the sole property of Hi-Lite Mfg Co., Inc. Any reproduction in part or as whole without prior written authorization of Hi-Lite Mfg Co., Inc. is strictly prohibited.

Amazing! Alinea®

NOW AVAILABLE IN

LED TYPE 'J'

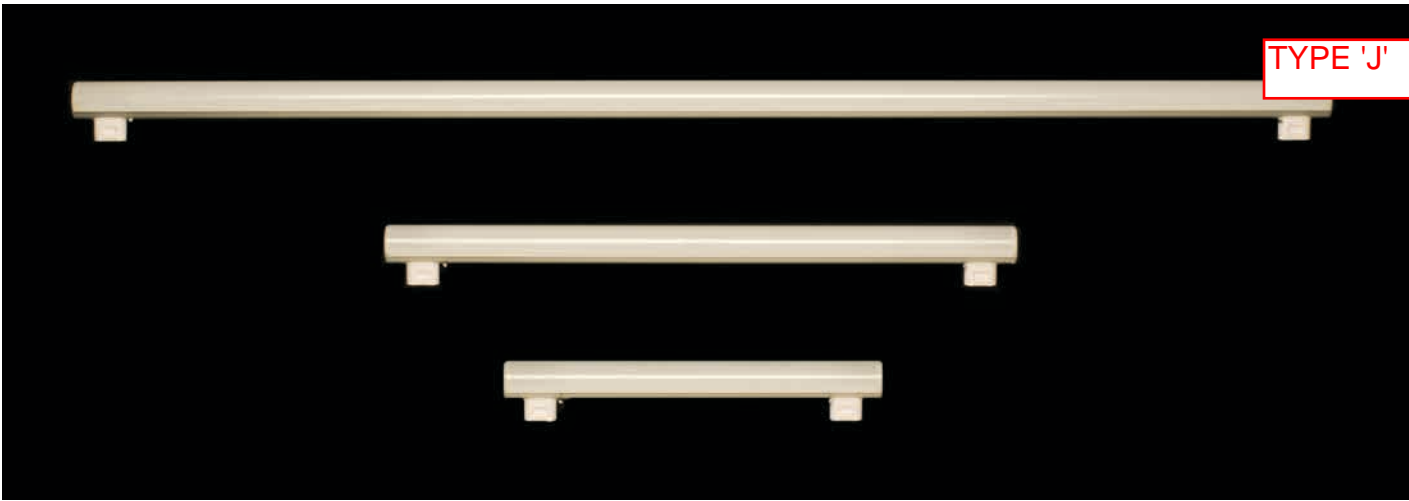


- Directly replaces incandescent versions without modification, facilitates end-to-end mounting
- Operates on 100–140 volts (240- & 277-volt available, consult factory)
- Needs no transformer or ballast
- Available in 2300–2400K or 3500K* 82 CRI
- Fully dimmable using most incandescent dimmers
- 25,000 hour estimated average life versus 1,000-hour incandescent it replaces
- 3 year warranty from date of purchase

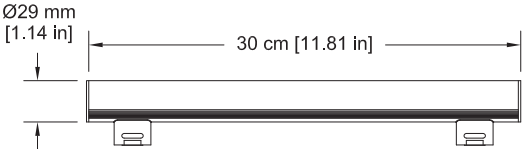


AAMSCO LIGHTING, INC. 100 Lamp Light Circle • Summerville, SC 29483
1-800-221-9092 • Fax 843-278-0001 • www.aamsco.com

TYPE 'J'

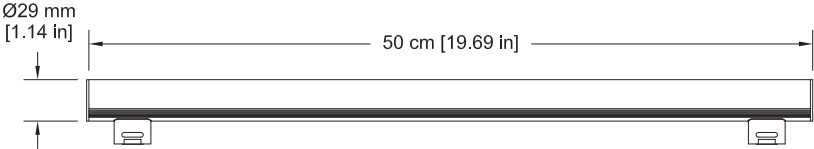


Model **LED-30 4W 2300-2400K**



Consult factory for availability of additional Kelvin temperatures, lengths and voltages.
TOLL FREE North America
1-800-221-9092 ext. 225,
M-F 8AM-5PM Eastern Time
OUTSIDE North America
+1.843.278.0000 x225

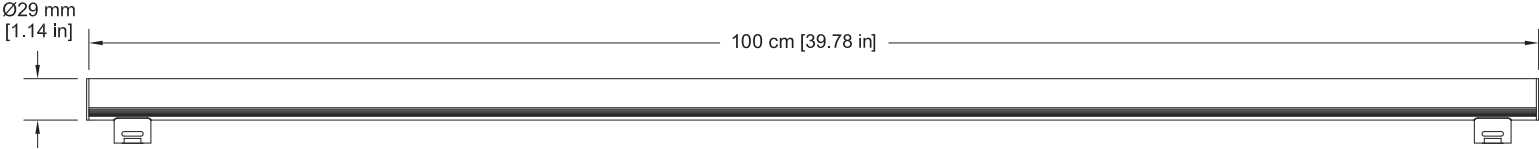
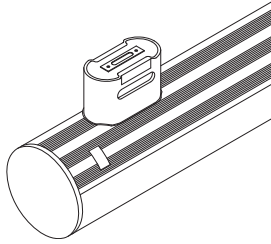
Model **LED-50 6W 2300-2400K**



Model **LED100NG-24K 12-15W 2300-2400K**

Model **LED100NG-35K* 15W 3500K**

**This model not available with offset pins.*



SPECIFICATION SHEET

3 1/2" 3000 SERIES

S3450

LOW PROFILE SHOWER TRIM WITH FROSTED LENS

 **Wet Location** YES


 **MR16** 20-50W


 **GU/GZ-10** YES*


Standard : Anodized aluminum
Available :


Anodized	Specular	Painted
Azur (AZ)	Black (BK)	White (-01)
Burnt orange (BO)	Champagne (CH)	Black (-02)
Cobalt blue (CB)	Clear (CL)	Matte White (-11)
Inca Gold (IG)		
Ruby (RU)		

Reflector
To order a white trim with the standard reflector : **S3450-01**
To order a white trim with an Azur smooth reflector : **S3450-01AZ**
Order your trim with a clear lens to see the reflector's color.

 **Insulated ceiling housing**
ISMR3000E20, ISMR3000E35, ISMR3000M, ISMR3000M20, ISMR3000M35

 **New construction housing**
NW3000CE, NW3000CM, NW3000LE, NW3000LM, NW3000LT*

 **Remodel housing**
IT3000LE, IT3000LM, IT3000LT*

 **Lenses**
Standard : Frosted lens
Available : Clear lens (C), Frosted with clear center lens (FC).
To order, place the lens code after the trim code.
Ex. : S3450FC-01

COMPATIBLE HOUSINGS

50W GU-GZ/10	50W MR16	37W MR16	35W MR16	20W MR16
IT3000LT*	IT3000LE	NW3000CE	ISMR3000E35	ISMR3000E20
NW3000LT*	IT3000LM	NW3000CM	ISMR3000M	ISMR3000M20
	NW3000LE		ISMR3000M35	
	NW3000LM			

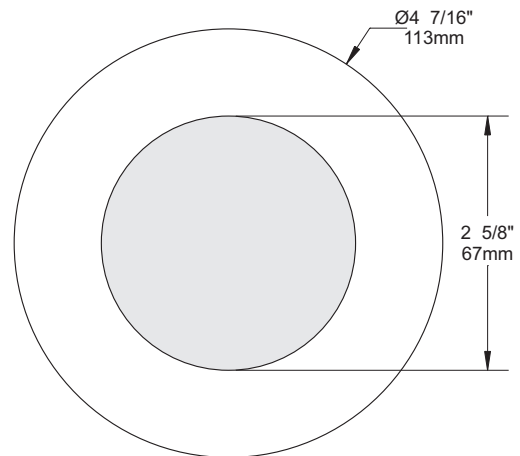
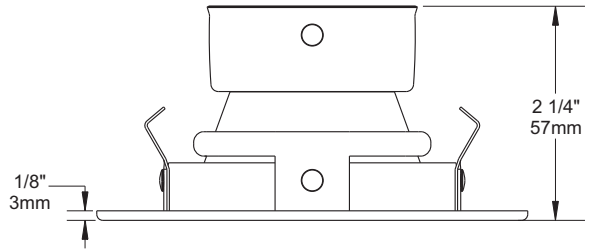
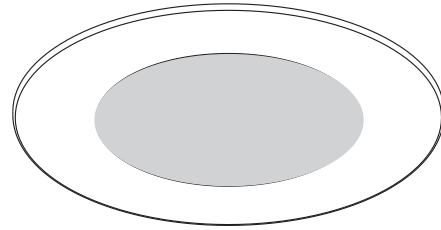
TRIM FINISHES

-01 WHITE	-04BR BRUSHED CHROME	-08 ANTIQUE SILVER
-02 BLACK	-05 ARCHITECTURAL BRONZE	-11 MATTE WHITE
-03 24K GOLD	-06 ANTIQUE COPPER	-12BR BRUSHED NICKEL
-04 CHROME	-07 ANTIQUE BRASS	-13 SATIN NICKEL
		-14 ALMOND

Unless otherwise indicated, trims are for **interior use only**. For exterior use and up to wet conditions, **MARINE GRADE** treatment is **recommended**. Available for finishes -01, -02, -05, -06, -11 and -14 only.

Project _____

Representative _____



LED FLEXBRITE CUSTOM CUT

TYPE 'M'

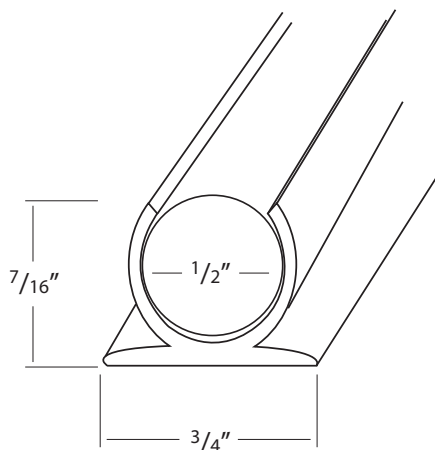
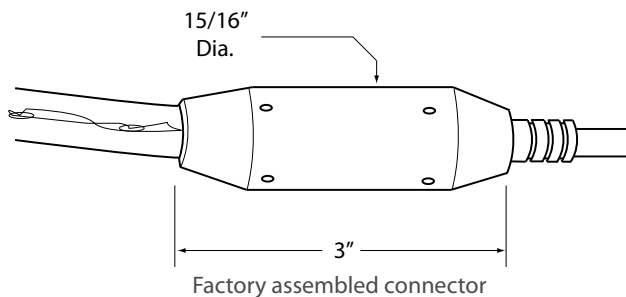
UL Listed and custom cut to your specifications

LED FLEXBRITE CUSTOM CUT

Custom cut lengths (to the nearest 3 foot length) offer UL 2388 compliance. Save 82% in energy usage compared to incandescent. Great for accent lighting, decorative lighting, outlines, architectural details, patios, decks, gazebos and more.

FEATURES

- Indoor/outdoor rated
- Cost effective lighting for a variety of applications
- Produces virtually no heat for maximum safety
- Power cord and end cap connections are made at the factory per order for UL compliance (order one conkit for each non-extendable run up to 150 feet)
- Order to the nearest cutting increment – every 36" for Cool White and Ultra Warm White
- Highest quality PVC with UV inhibitor to maximize life and performance



Flexbrite in mounting track

BILL OF MATERIALS

- Determine length needed to the nearest 3 foot cutting increment
- Order one ULR-CONKIT-LEDSHELL for each non-extendable run up to 150 feet
- Order mounting track for straight runs (recommended) and mounting clips as needed



Cool White (CW)



Ultra Warm White (UWW)

CUSTOM CUT

ULRL-LED

UL2388
120V LED
Flexbrite

CW-CC = Cool White (6400K)
UWW-CC = Ultra Warm White (2700K)

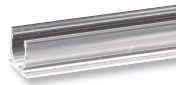
For full reels, order 150 feet ULRL-LED-(COLOR)-150 and 5 LED-DL-CONKIT-1.6AMP and 50 DL-CLIP/SCREW (included in price of reel).

ACCESSORIES



ULRL-CONKIT-LEDSELL

UL Listed factory-assembled connector kit for use with CUSTOM CUT 120V 1/2" Rope Light only



DL-TRACK-4

Four foot clear mounting track with UV rating for outdoors; recommended for use with straight line installations



DL-CLIP/SCREW

Clear "U" shaped mounting clip that securely holds rope light in place

TECHNICAL SPECIFICATIONS

Voltage	120V, 60Hz AC operation (1.6A inverter on cord converts AC power to DC for LEDs)
Construction	Heat resistant clear PVC housing with LEDs every 1", vertical mount
Mounting	Plastic mounting clips or track
Dimensions	1/2" diameter
Cuttability	Every 3 feet
Light Output	CW = 6.3 lumens per foot, UWW = 5.5 lumens per foot
Wattages	0.77 watt per foot
Maximum run	150 feet
Switching	Provide switched outlet for On/Off control
Linking	Custom cuts are not linkable. Cutting, splicing or repairing LED Flexbrite custom cuts voids UL
LED specs	60,000 hours average LED life, UWW (2700K) CRI = 73; CW (6400K) CRI = 80; .067 watt, 1.11V, 60mA, 3mm, 120° beam angle
Dimmers	Switched wall outlets cannot be used with wall dimmers per the NEC. Dimmable with most CFL/LED and low voltage electronic dimmers (minimum loads may apply).
Diffuser	Clear PVC jacket
Packaging	Boxed



P



TYPE 'P'



Since 1985
RETAIL ONLY

Home About Contact Us FAQs Shipping Log In Wholesale/Volume Pricing

VIEW CART / CHECKOUT

Shop by Category

Home > -Party Lights and Wedding Lights > - Heavy-Duty Commercial Grade Outdoor Light Strings

(800) 777-8667
(408) 492-1391
8:30am-4:30pm (PST)
Order minimum: \$35

- 11S14, A15, A19 and G50 Light Bulbs (medium base)
- Battery Operated LED Light Strings
- C7 & C9 Christmas Light Bulbs
- C7 Light Strings and Spools
- C9 Light Strings and Spools
- Commercial Grade Patio Light String, INTERMEDIATE base sockets
- Commercial Grade Patio Light String, MEDIUM base sockets
- Floralytes and Submersible Floralytes by Acolyte
- Globe Party Lights, Pre-Assembled Globe Light Sets
- Globe Party Lights, Replacement Bulbs (G30, G40, G50)
- Icicle Lights
- LED C7, LED C9, LED G30 and LED G40 Christmas Lights
- LED S14 Sign Bulbs and LED G50 Bulbs (E27 medium base)
- LED String Lights
- Mini Lights
- Mounting & Installation Clips
- Net Lights
- Party Light Bulbs
- Party Lights and Wedding Lights
 - A15 and A19 Party Light Bulbs
 - Accessories (sockets, plugs, clips, etc)
 - Chili Party Light Strings
 - Floralytes (Battery-operated LED Floral Lights)
 - Globe Party Light Strings and Bulbs (G30, G40, G50)
 - **Heavy-Duty Commercial Grade Outdoor Light Strings**
 - Icicle Lights
 - LED Light Strings
 - Minilights
 - Net Lights
 - Paper Lantern Lighting
- Accessories
 - S11 and S14 Sign Bulbs
 - Starlight Spheres
- Plugs, Sockets and Accessories
- Sign Bulbs
- T3 and T5.5 Bulbs

- Heavy-Duty Commercial Grade Outdoor Light Strings

Options available for our outdoor string lights:

Color	Length	Socket Option
• Black	• 54 feet (24 sockets) includes 6' lead	<ul style="list-style-type: none"> • Suspended (socket hangs down a few inches) • In-line
• Green	• 106 feet (50 sockets) includes 6' lead	
• White	• 330 feet (165 sockets)	



Click on pictures to view larger versions

Features:

- These popular commercial-grade outdoor light strings are ideal for landscape lighting for backyards, wineries, patios, cafes and wedding tents.
- These outdoor party string lights have **16 gauge (AWG) wire**, **medium base sockets** and spacing of **24" between sockets**.
- PVC encapsulated sockets are resistant to UV sunlight exposure.
- Soft socket lips are designed to ensure a tight weather-resistant seal around the bulbs.
- These outdoor string lights are designed for both indoor (interior) and outdoor (exterior) use. Most of our customers use these products for outdoor landscape lighting.
- The 54 ft. and 106 ft. light strings come with a male power plug; power plug for the 330 ft. light string must be purchased separately. We recommend the UL listed [15 Amp rubber plugs](#).
- **As seen on the DIY Network show "Yard Crashers" (Episode "Backyard Living Room")**
- **As featured in the July 2009 issue of Real Simple Magazine**

Recommended medium base light bulbs (sold separately):

- [LED S14 bulbs](#) (<1 Watt)
- [LED G50 bulbs](#) (<1 Watt)
- [11S14 light bulbs](#) (11 Watts)
- [A15 light bulbs](#) (15 Watts)
- [G50 globe bulbs](#) (15 Watts)

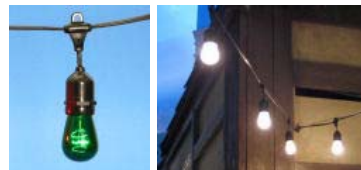
Wattage Capacity:

- The recommended maximum run per circuit for these light strings is approximately 960 Watts (8 Amps); limit of 15 Watts per socket. This means that for a continuous length of light string, the maximum wattage running through should be 960 Watts or less. For example: for the 106 foot light string, since there are 50 sockets, recommended wattage per socket would be 15 Watts per socket (960W ÷ 50 sockets). If you plan to use all 50 sockets, we recommend the [LED S14 or LED G50](#) (<1W), [11S14](#) (11W), [A15](#) (15W) or the [G50](#) (15W) bulbs.

Please note that these light strings are **not** end-to-end connectable (cannot be daisy-chained).

Light bulbs sold separately.

Suspended Socket:



Click on pictures to view larger versions

In-Line Socket:



Shop with confidence!
Click on the icon below for details on our site security:



Shopping Cart
Your cart is empty.

More Information

- [Customer Support](#)
- [Decorating Ideas for Christmas Lights](#)
- [Wholesale Prices and Container Imports](#)
- [Incandescent vs. LED lights](#)

More | Share

Search Site
Go

Find us on Facebook
Like 81

We accept these credit cards:



TYPE 'P'

Since 1985
RETAIL ONLY

WE WILL BE CLOSED FOR OUR ANNUAL HOLIDAY SHUT-DOWN FROM DEC 20, 2014 THROUGH JAN 4, 2015. WE WILL BE OPEN BUSINESS MONDAY, JAN 5, 2015.

Shop by Category

- 11S14, A15, A19 and G50 Light Bulbs (medium base)
- Battery Operated LED Light Strings
- C7 & C9 Christmas Light Bulbs
- C7 Light Strings and Spools
- C9 Light Strings and Spools
- Commercial Grade Patio Light String, INTERMEDIATE base sockets
- Commercial Grade Patio Light String, MEDIUM base sockets
- Floralytes and Submersible Floralytes by Acolyte
- Globe Party Lights, Pre-Assembled Globe Light Sets
- Globe Party Lights, Replacement Bulbs (G30, G40, G50)
- Icicle Lights
- LED C7, LED C9, LED G30 and LED G40 Christmas Lights
- LED S14 Sign Bulbs and LED G50 Bulbs (E27 medium base)
- LED String Lights
- Mini Lights
- Mounting & Installation Clips
- Net Lights
- Party Light Bulbs
- Party Lights and Wedding Lights
- Plugs, Sockets and Accessories
- Sign Bulbs
- T3 and T5.5 Bulbs

Home > - [LED S14 Sign Bulbs and LED G50 Bulbs \(E27 medium base\)](#) > LED S14 Classic Bulbs, 0.5 Watts, 9 LEDs, E27 medium base, glass, pack of 25

LED S14 Classic Bulbs, 0.5 Watts, 9 LEDs, E27 medium base, glass, pack of 25



PRICE: To see qty discounts, select product option (if any): **\$129.00**

Item Number: **LEDG93S14WW**
Socket Size: [Medium \(E27\)](#)

Product Options

Color: Warm White ▾

Quantity: [Add to Cart](#)

Like Be the first of your friends to like this.

[Email this page to a friend](#)

Quantity Discounts - for certain items, must purchase same color

Quantity	Amount
4 to 11	\$116.10
12 to 19	\$109.65
20 to 999	\$103.20

Search Site

[Go](#)

Find us on Facebook

Like

We accept these credit cards:



Product Description:

9 LEDs per bulb
 0.50 Watts
 130 Volts
 E27 medium base
 Energy-saving (consumes less than 10% energy compared to conventional bulbs)
 LED lights are safer, as they produce virtually no heat and are cool to the touch
 Smooth clear **glass** bulb will not fade from sun exposure
 Glass bulb provides a clean, classic look
 Nickel-plated brass base
 Great for indoor and outdoor use
 Non-dimmable
 Light output equivalent to approximately 11 Watts incandescent



[For shipping information, please click here.](#)

(800) 777-4924
 (408) 492-4924
 8:30am-4:30pm
[Order mi](#)

Shop with confidence. Click on the for details site security



Share
 Your cart is empty

More Information
 - Custom Decorative Christmas Lights
 - Wholesale Container Incandescent lights

[Share](#)

Item # or Search Phrase Search

Craftmade Home -> Back to product search

Buy Now Buy Local

Print Download Image

Patio 52" Fan - FB (Blades Sold Separately)

Product #: OPXL52FB (647881012519 - 168027)

The Craftmade Patio Fan is U.L. listed for wet locations.

Product Specifications:

7 Finish Options:

OPXL52FB - Flat Black (shown) ▼

Finish:	Flat Black Finish
Collection:	Patio
Shown With:	B552S-OFB (sold separately)
Style:	Outdoor
Weight:	18.5lbs.
Blades:	5
Sweep:	44, 52, 54, 56
Blade Pitch:	14°
Motor Size:	188 x 15
Amps (high):	0.7
Watts (high):	71
RPM:	210-120-78
Airflow:	6131
Efficiency:	85
Downrod:	2
Downrod:	6
Motor Only:	Yes
Blades:	Type 1,Type 3
Light Kit:	Light Kit Adaptable (Optional)
Remote Info:	Not Remote Control Adaptable
Warranty:	30 Year Limited Warranty
Size:	Small,Medium
Listing:	CUL
Location:	WET
Shipping:	L:20.31"x W:10.67"x H:10.24"-18.50lbs.

Additional Information:

- Suitable for Wet Locations
- Standard Pull Chain Control

Resources:

Installation Sheet
 Catalog View
 View More Like This



Although the information on this website is presented in good faith and believed to be correct, Craftmade International cannot guarantee its accuracy. We do not accept responsibility for any errors, inaccuracies, omissions, or any loss resulting from the reliance of its content. We reserve the right to edit the information at any time without prior notification. Please contact Craftmade's customer service department (1-800-486-4892) or a Craftmade Authorized Distributor for the most up-to-date information.

Finish representations on this website are shown using high resolution digital reproduction, and while every effort is made to render colors accurately, some may vary slightly from the actual product - especially hand-painted finishes due to the nature of hand craftsmanship.

Craftmade Home -> Back to product search

Buy Now Buy Local

Print Download Image

52" Outdoor Standard Blades Flat Black - OFB

Product #: B552S-OFB (647881012526 - 167278)

Product Specifications:

32 Finish Options:

B552S-OFB - Flat Black (shown) ▼

Finish:	Flat Black Finish
Collection:	Outdoor Standard
Blade Finish:	Flat Black
Weight:	3.8lbs.
Sweep:	52
Shipping:	L:21.06" x W:11.81"-3.80lbs.

Additional Information:

- Suitable for Wet Locations

Resources:

Catalog View
View More Like This



Although the information on this website is presented in good faith and believed to be correct, Craftmade International cannot guarantee its accuracy. We do not accept responsibility for any errors, inaccuracies, omissions, or any loss resulting from the reliance of its content. We reserve the right to edit the information at any time without prior notification. Please contact Craftmade's customer service department (1-800-486-4892) or a Craftmade Authorized Distributor for the most up-to-date information.

Finish representations on this website are shown using high resolution digital reproduction, and while every effort is made to render colors accurately, some may vary slightly from the actual product - especially hand-painted finishes due to the nature of hand craftsmanship.

RH

TYPE 'U'



STEEL POLYHEDRON PENDANT

\$395 - \$795

Classic triangular forms create the beautiful symmetry of our openwork pendant. Constructed of sturdy steel in an industrial finish with an aged patina.

[Hide product details...](#)

- A metal sleeve, finished to match the frame, covers the porcelain socket
- Cloth cord
- Uses one 60W max. bulb (included)
- UL listed
- Hardwire
- Chain included; optional extension chain (sold separately) adds length to fixture
- Wipe clean with a soft, dry cloth

DIMENSIONS

Small: 18" diam., 22"H
 Medium: 25" diam., 31"H
 Large: 32½" diam., 40"H
 Cord: 6'L
 Weight: 20 lbs.



STEEL POLYHEDRON PENDANT

\$395 - \$795

SIZE

Choose Size ▼

PRICE QUANTITY

0 ▼



1910 SQUIRREL-CAGE FILAMENT BULB - 2" DIAM., 4¼"L

\$12

[See all product details.](#)

COLOR

Choose Color ▼

WATTAGE

Choose Wattage ▼

PRICE QUANTITY

0 ▼



STEEL POLYHEDRON PENDANT REPLACEMENT CHAIN - 72"L

\$45 ITEM# 68970149 PART

[See all product details.](#)

AVAILABILITY & DELIVERY

Expect delivery on or before 12/17/14.
[Standard Delivery Shipping](#)

PRICE QUANTITY

\$45 ea 0 ▼

BOOKMARK & SHARE

