

VW 3700

PROJECT-OUT VENT WINDOW



EXTERIOR



INTERIOR



FEATURES:

AAMA/WDMA/CSA 101/15.2/A440-08/NAFS CLASS CW-PG75 [60x36]-AP
LIFE CYCLE TESTED
2" FRAME DEPTH
SCREW-SPLINE FRAME JOINERY
MITERED CLIP, EPOXY AND STAKE JOINERY
POUR & DEBRIDGE THERMAL BREAK
FIELD GLAZING
EPDM GASKETS

1/4" & 1" GLASS THICKNESS
ALUMINUM GLASS STOPS
CAM LOCKS
4-BAR HINGES
EQUAL FRAME LEGS
ANODIZED & PAINTED FINISHES
OPTIONAL ALUMINUM SCREENS WITH FRAME FINISHED TO MATCH WINDOW

TUBELITE[®]
DEPENDABLE

LEADERS IN ECO-EFFICIENT STOREFRONT CURTAINWALL AND ENTRANCE SYSTEMS

CURLES NECK DAIRY BUILDING - RICHMOND

TYPICAL NEW STOREFRONT WINDOWS

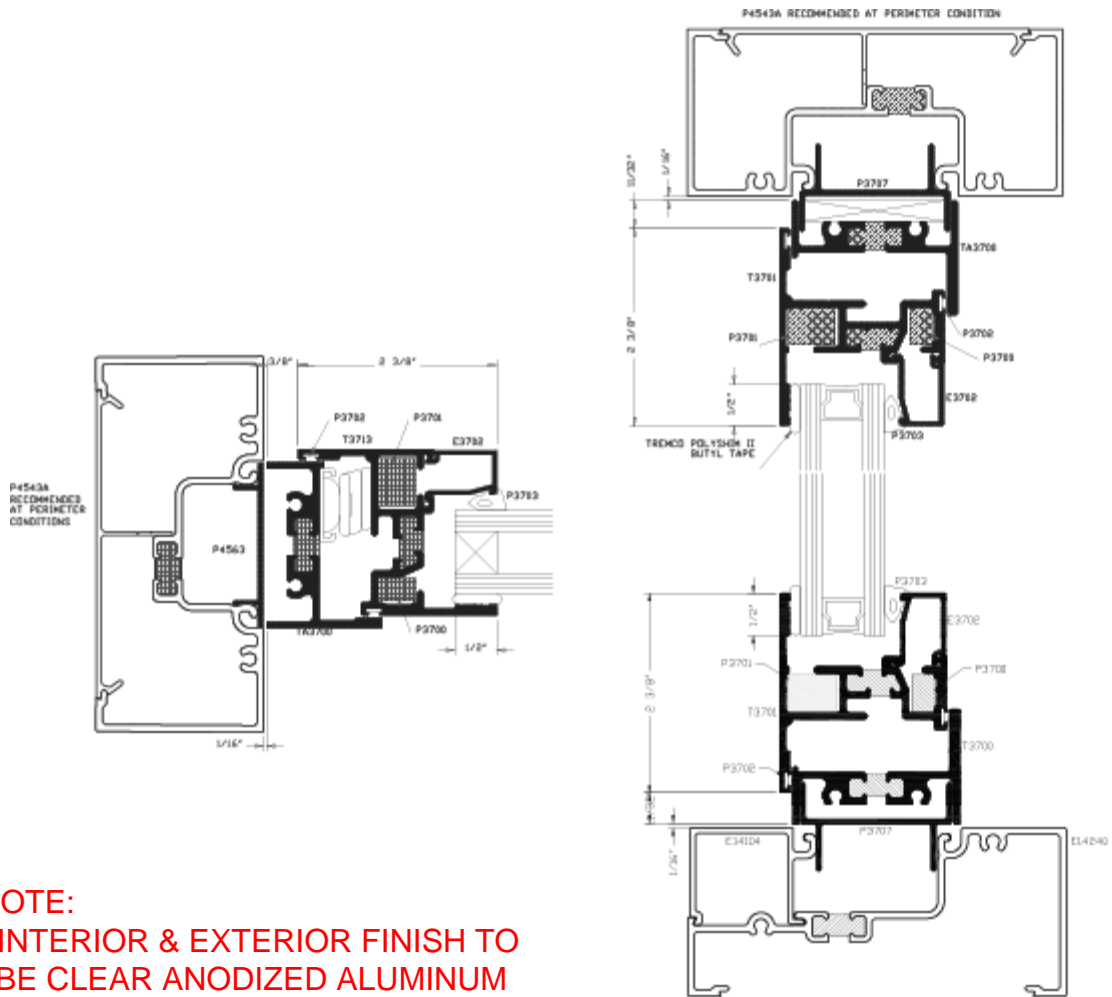


4-BAR HINGE



CAM LOCK

1/2 SIZE DETAILS



VW3700 – VENT WINDOW GUIDE SPECIFICATIONS

GENERAL

Description

Furnish all necessary materials, labor and equipment for the complete installation of aluminum windows as shown on the drawings and specified herein.

Project-out vent windows shall be VW3700 (2 3/8" x 2 1/4") as manufactured by Tubelite Inc., Walker, Michigan. Whenever substitute products are to be considered, supporting technical literature, samples drawings and performance data must be submitted ten (10) days prior to bid in order to make a valid comparison of the products involved.

Test reports certified by an independent laboratory must be made available upon request.

Performance Requirements

Air infiltration shall not exceed .10 CFM/Ft² when tested in accordance with ASTM E-283 at a test pressure of 6.24 PSF.

There shall be no uncontrolled water entry when tested in accordance with ASTM E-331 "Water Penetration of Exterior Windows, Curtainwalls and Doors by Uniform Static Air Pressure Difference" at a test pressure of 12 PSF.

Structural performance per ASTM E-330 shall be based on a maximum allowable deflection of L/175 of the span. The system shall perform to those criteria under a design test pressure of 75 PSF.

Windows shall meet the performance specification AAMA/WDMA/CSA101/15.2/A440-08/NAFS Class CW-PG75 [61x38]-AP ratings.

PRODUCTS

Construction

The 2" deep, standard equal leg frame is fabricated from extruded aluminum, with .125" minimum wall thickness. Joints are coped, double screw fastened, and sealed with small joint sealer.

The sash is fabricated from extruded aluminum, with .075" minimum wall thickness. Mitered hairline joints are mechanically staked to solid aluminum, internal corner keys, and sealed with small joint sealer.

Glass stops are 3/4" high and can accept either 1" or 1/4" thick glazing material.

Materials

Extrusions shall be of aluminum alloy 6063-T5 extruded within commercial tolerance and free from defects impairing strength and/or durability.

Screws, bolts and all other accessories to be compatible with the aluminum under normal service conditions.

Glazing shall be by means of an exterior pre-formed adhesive tape, and interior roll-in wedge of high quality extruded elastomeric material.

Weathering consists of double Santoprene bulb gasket, continuous at perimeter.

Thermal barrier shall be a two part chemically curing, unfilled polyurethane casting resin poured in place for perimeter members.

Finish

All exposed framing surfaces shall be free of scratches and other serious blemishes.

Finish to be: (architect select)

Etched and clear anodized
(AAM10C21A31)

Clear - Class 2 (C2)

(AAM10C21A41)

Clear - Class 1 (C1)

Electrolytically deposited color
(AAM10C21A44) Class 1

Champagne (CH)

Medium Bronze (MB)

Light Bronze (LB)

Dark Bronze (DB)

Extra Dark Bronze (EB)

Black (BL)

Fluoropolymer painted color _____.

EXECUTION

Installation

Installation shall be in accordance with the manufacturer's installation instructions and the approved shop drawings.

Note:

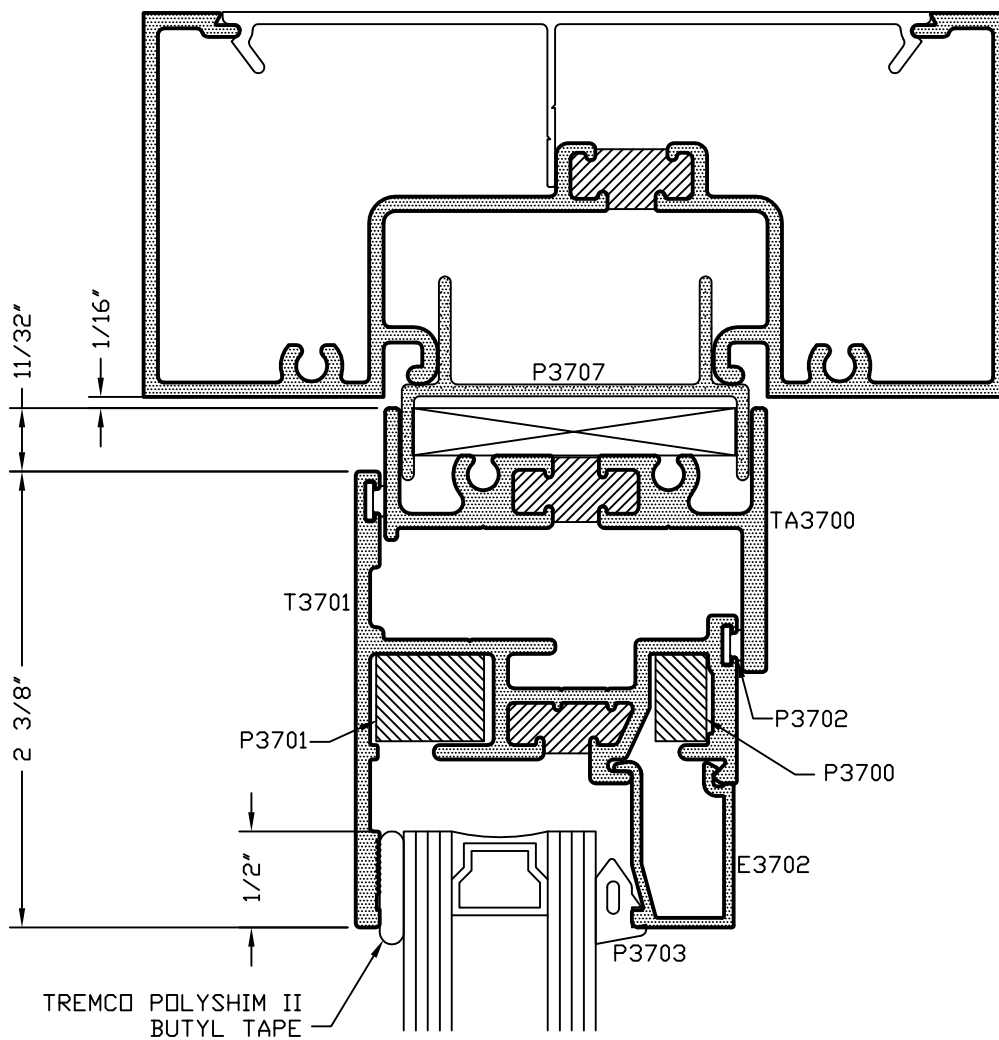
In keeping with Tubelite's policy of continuing product improvements, all specifications are subject to change without written notice by the manufacturer.

Vents

Vent Window Head - T14000 Series

CAD DETAIL FILE NO.
120HEAD4

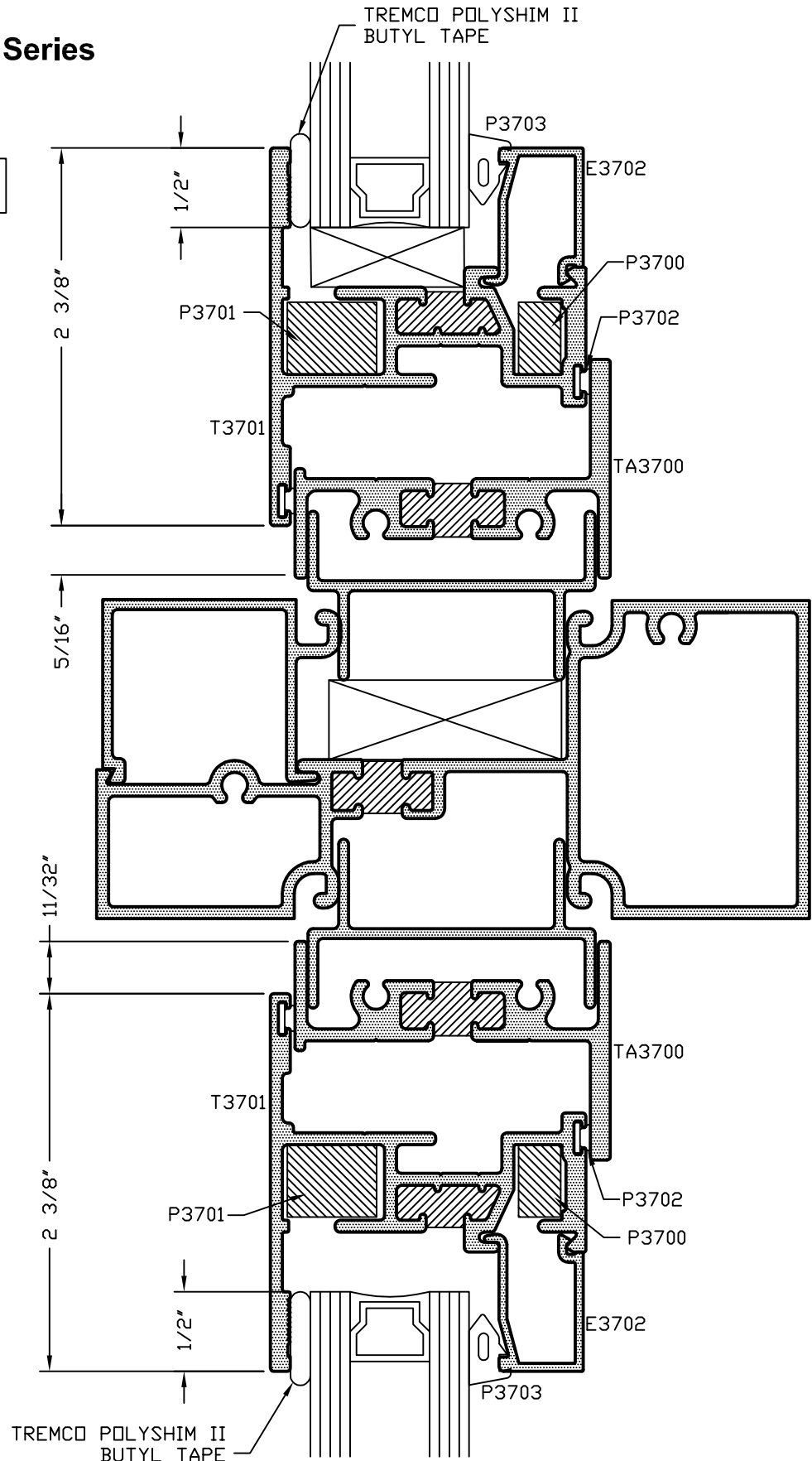
P4543A RECOMMENDED AT PERIMETER CONDITION



Vents

Horizontal - T14000 Series

CAD DETAIL FILE NO.
120HORZ1



TUBELITE
DEPENDABLE
LEADERS IN ECO-EFFICIENT STOREFRONT,
CURTAINWALL AND ENTRANCE SYSTEMS
2012

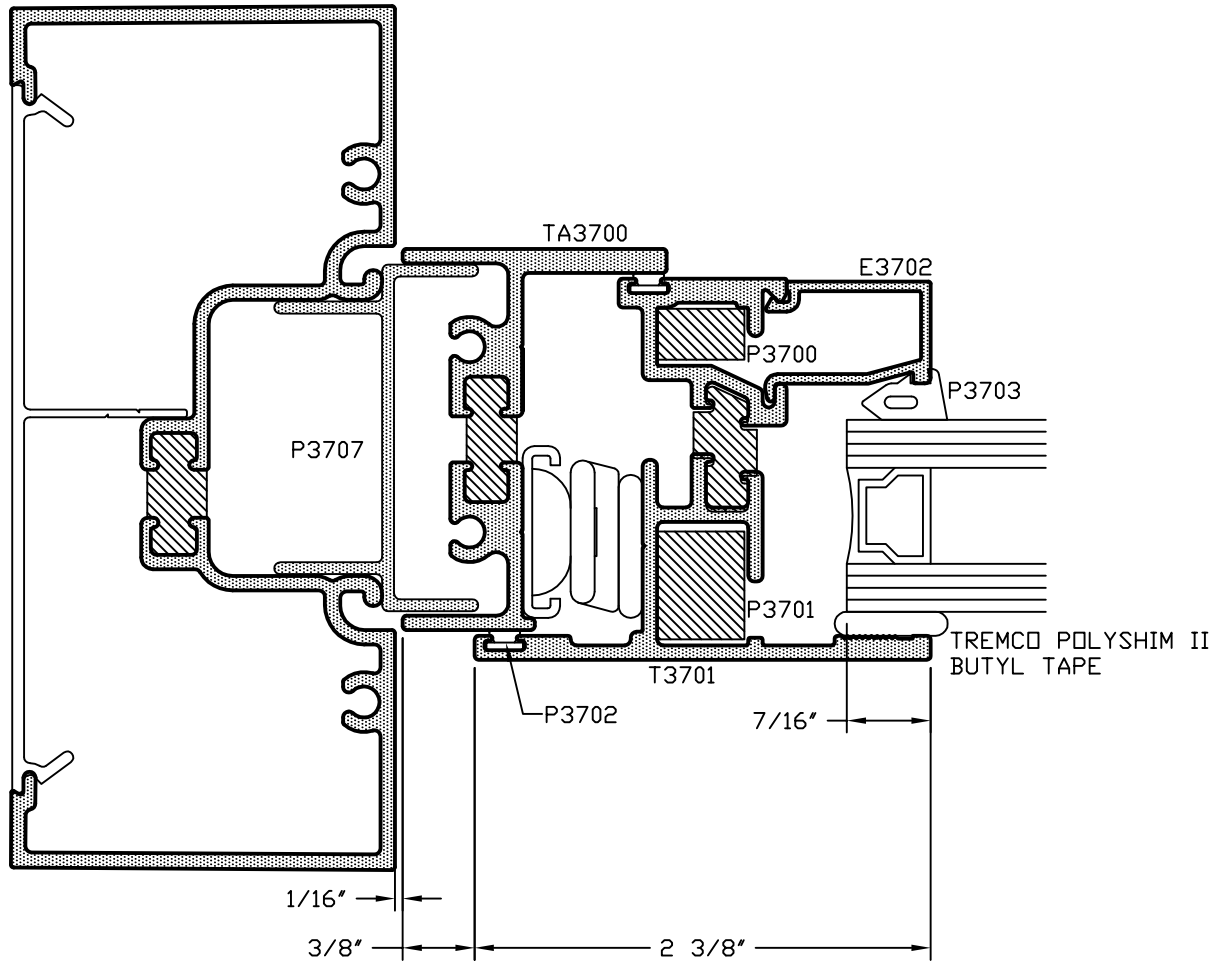
*SEALANT, ROD, & ANCHORS NOT BY TUBELITE

Vents

Jamb - T14000 Series

CAD DETAIL FILE NO.
120JAMB1

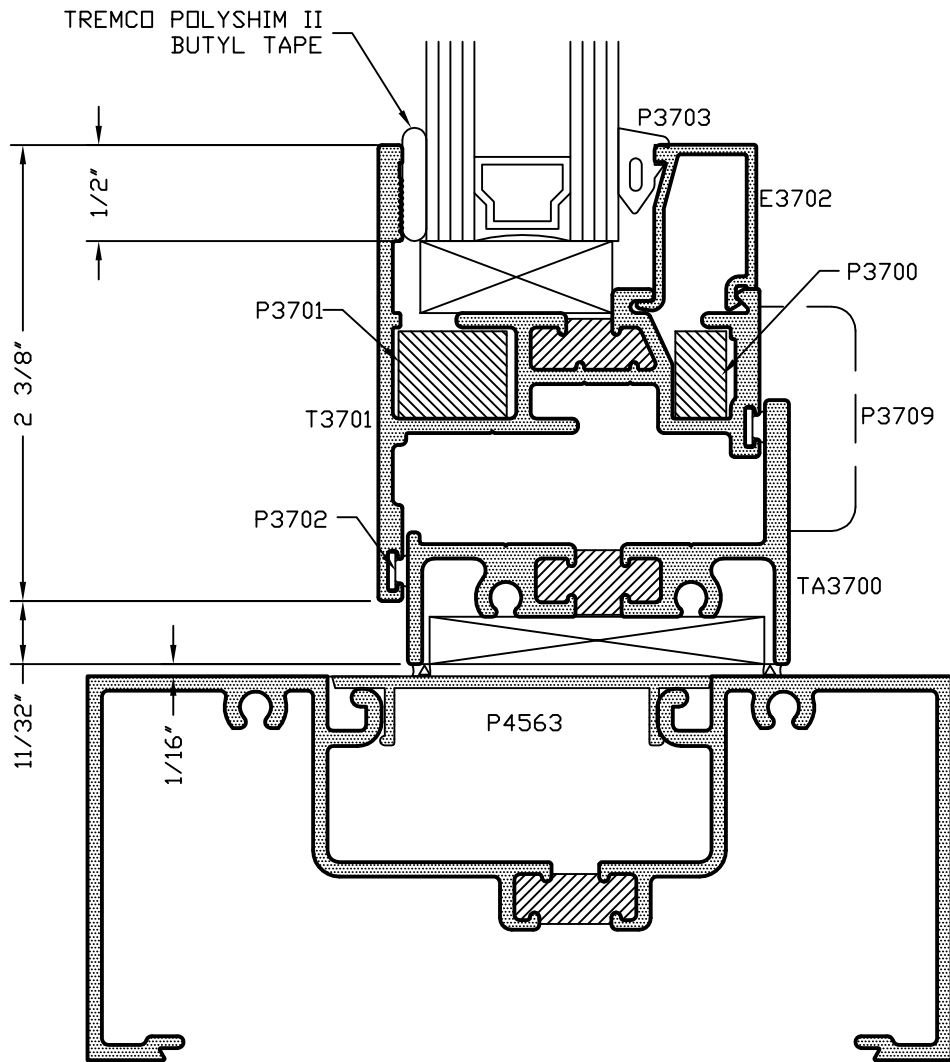
P4543A
RECOMMENDED
AT PERIMETER
CONDITIONS



Vents

Window Sill - T14000 Series

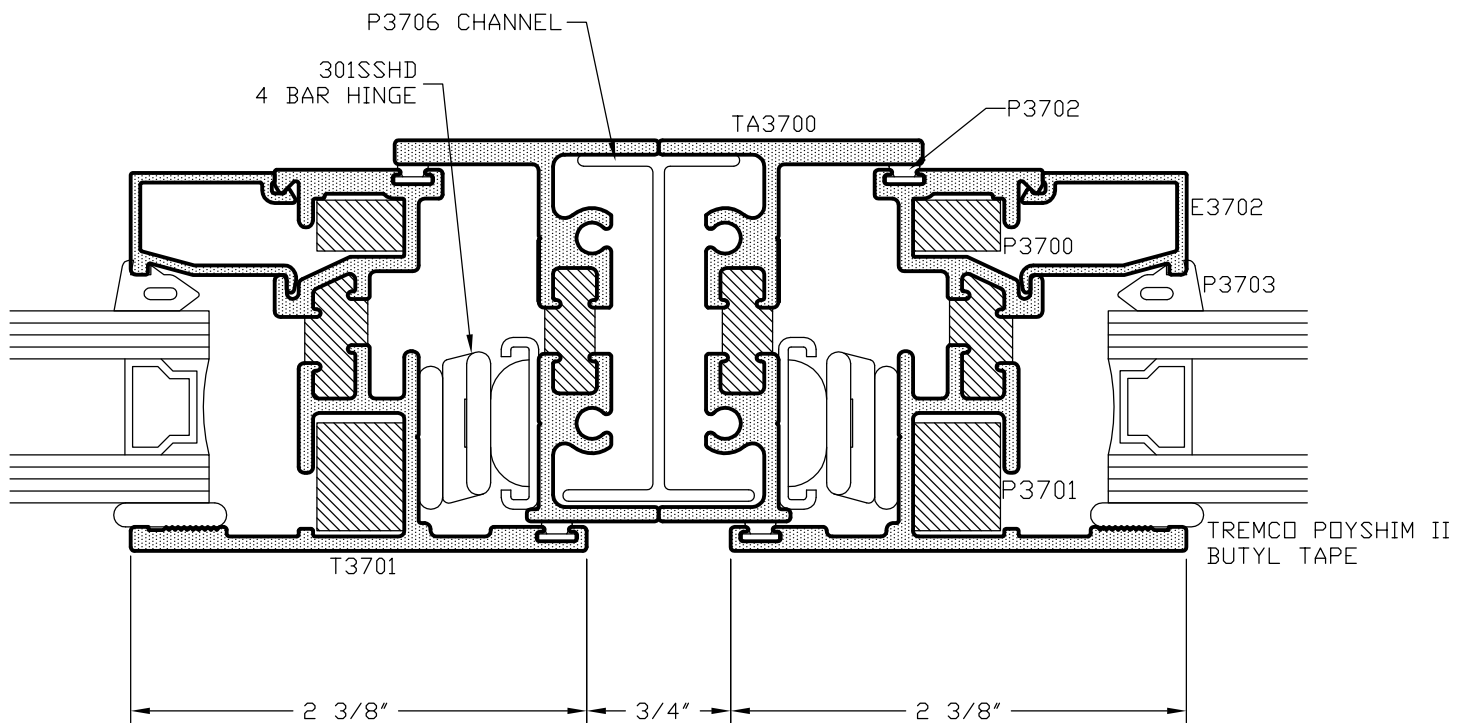
CAD DETAIL FILE NO.
120SILL4



Vents

Conventional Mullion

CAD DETAIL FILE NO.
120MULL1



Vents Vertical

CAD DETAIL FILE NO.
120VERT1

