

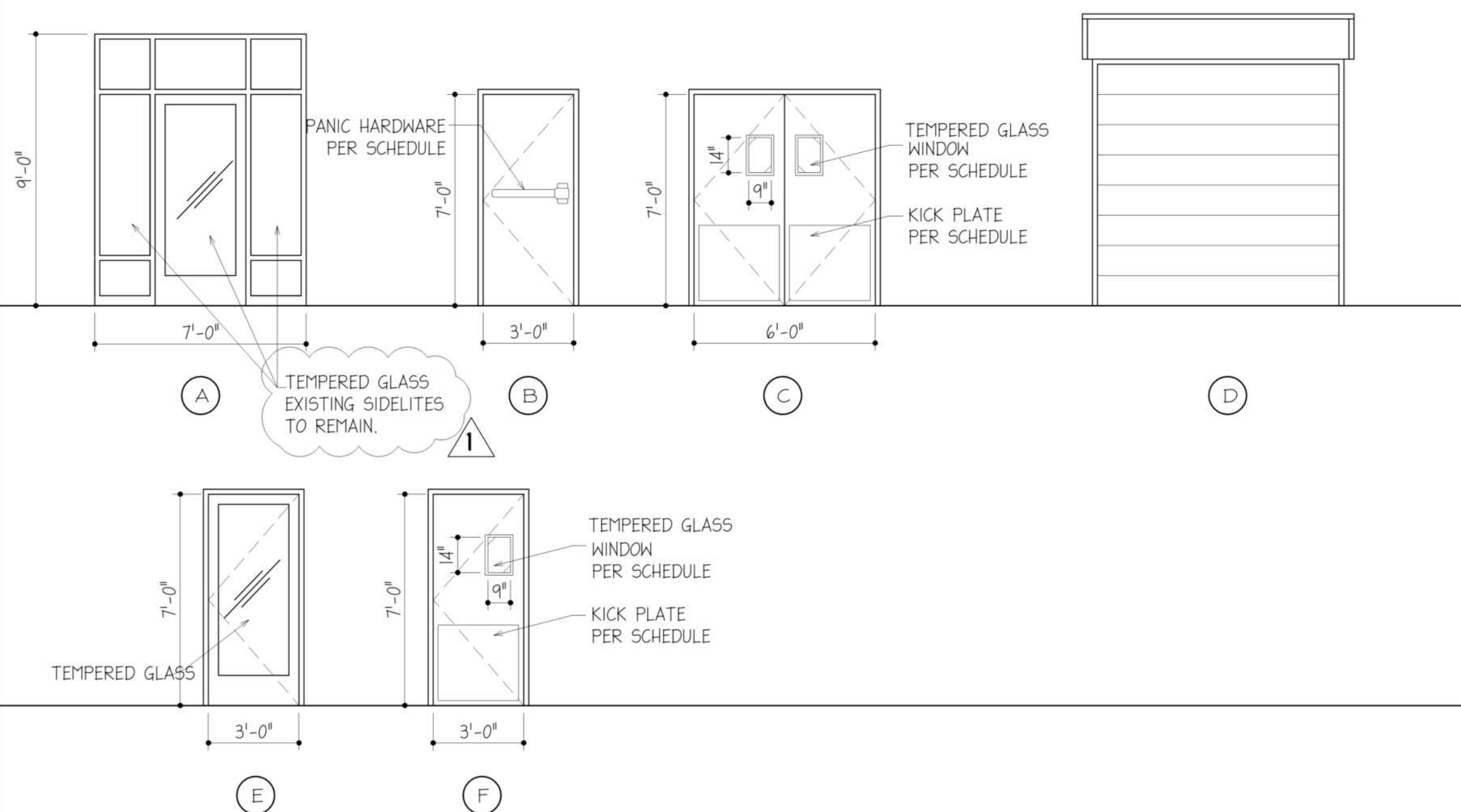
Door Schedule									
Door #	Width	Height	Thickness	Material	Type	Door Frame	Hardware	Threshold	Notes
101	3'-0"				A				EXISTING STOREFRONT, PH
102	3'-0"								EXISTING STOREFRONT, PH
103	3'-0"								EXISTING
104	3'-0"								EXISTING
105	3'-0"								EXISTING
106	(2)3'-0"	7'-0"	1-3/4"	HMTL	C	HMTL	PT-X		WINDOW, 30" KICKPLATE DOUBLE ACTING
107	3'-0"	7'-0"	1-3/4"	HMTL	B	HMTL	PT-X		PL, 15" KICKPLATE
108	3'-0"	7'-0"	1-3/4"	HMTL	B	HMTL	PT-X		PH, ACL
109	3'-0"	7'-0"	1-3/4"	HMTL	B	HMTL	PT-X		PL, 15" KICKPLATE
110	3'-0"	7'-0"	1-3/4"	HMTL	B	HMTL	PT-X		
111	3'-0"	7'-0"	1-3/4"	HMTL	F	HMTL	PT-X		30" KICKPLATE, WINDOW
112	3'-0"	7'-0"	1-3/4"	HMTL	F			ALUM.	30" KICKPLATE, WINDOW
113	2(3'-0")	7'-0"	1-3/4"	HMTL	C		PT-X		
114	8'-0"	8'-0"			D				OVERHEAD
115	3'-0"	7'-0"	1-3/4"	MTL	B				30" KICK PLATE*, ACL, PH
116	2(3'-0")	7'-0"	1-3/4"	HMTL	C				30" KICK PLATE*
117	3'-0"	7'-0"	1-3/4"	HMTL	F	HMTL	PT-X	ALUM.	30" KICK PLATE*, WINDOW
118	3'-0"								EXISTING
120	3'-0"								EXISTING
121	3'-0"								EXISTING, ACL
122	(2)3'-0"								EXISTING
123	3'-0"								EXISTING, ACL
124	3'-0"								EXISTING
125	3'-0"	7'-0"	1-3/4"	W/D	B				PH
126	3'-0"	7'-0"	1-3/4"	MTL	E				
127	3'-0"	7'-0"	1-3/4"	HMTL	B				

MTL - Insulated Metal
HMTL - Hollow Metal
PNT - Painted
PH - PANIC HARDWARE
SCW - Solid Core Wood
CO - Casped Opening
PL - Privacy Latch
ACL - Automatic Closer
TMP - Tempered Glass

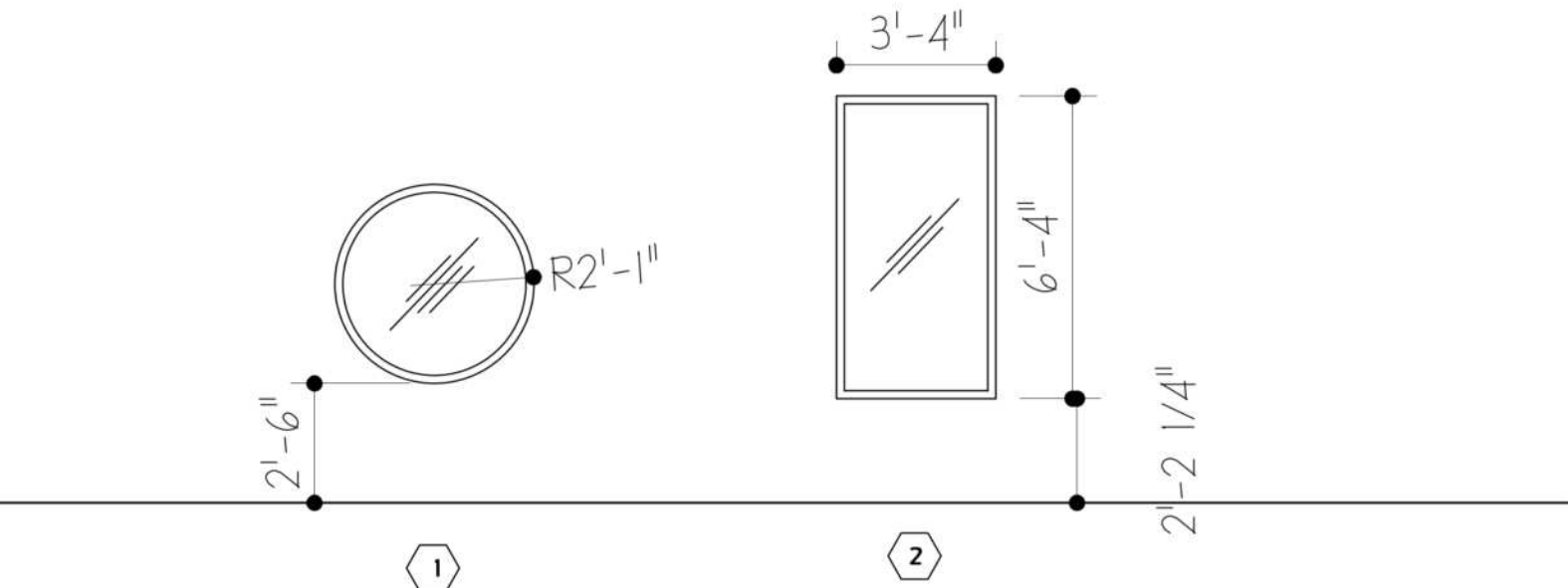
Notes:
1) See 4/A1.0 for 'Door Types.'
2) Tenant to select hardware with GC.
3) All doors shall comply with Section 4.13.9 for Accessible Door Hardware and 4.13.14 for door surfaces for wheelchair users.

DOOR TYPES

Conc Pump	120.0 FT
1/4" SLOPE_8" Concrete Slab - CuYd	42.4 CU YD
1/8" SLOPE_8" Concrete Slab - CuYd	4.9 CU YD
4" Concrete at Trenches - CuYd	0.9 CU YD
4" Concrete Loading Dock Ramp	2.2 CU YD



DOOR SCHEDULE



WINDOW TYPES

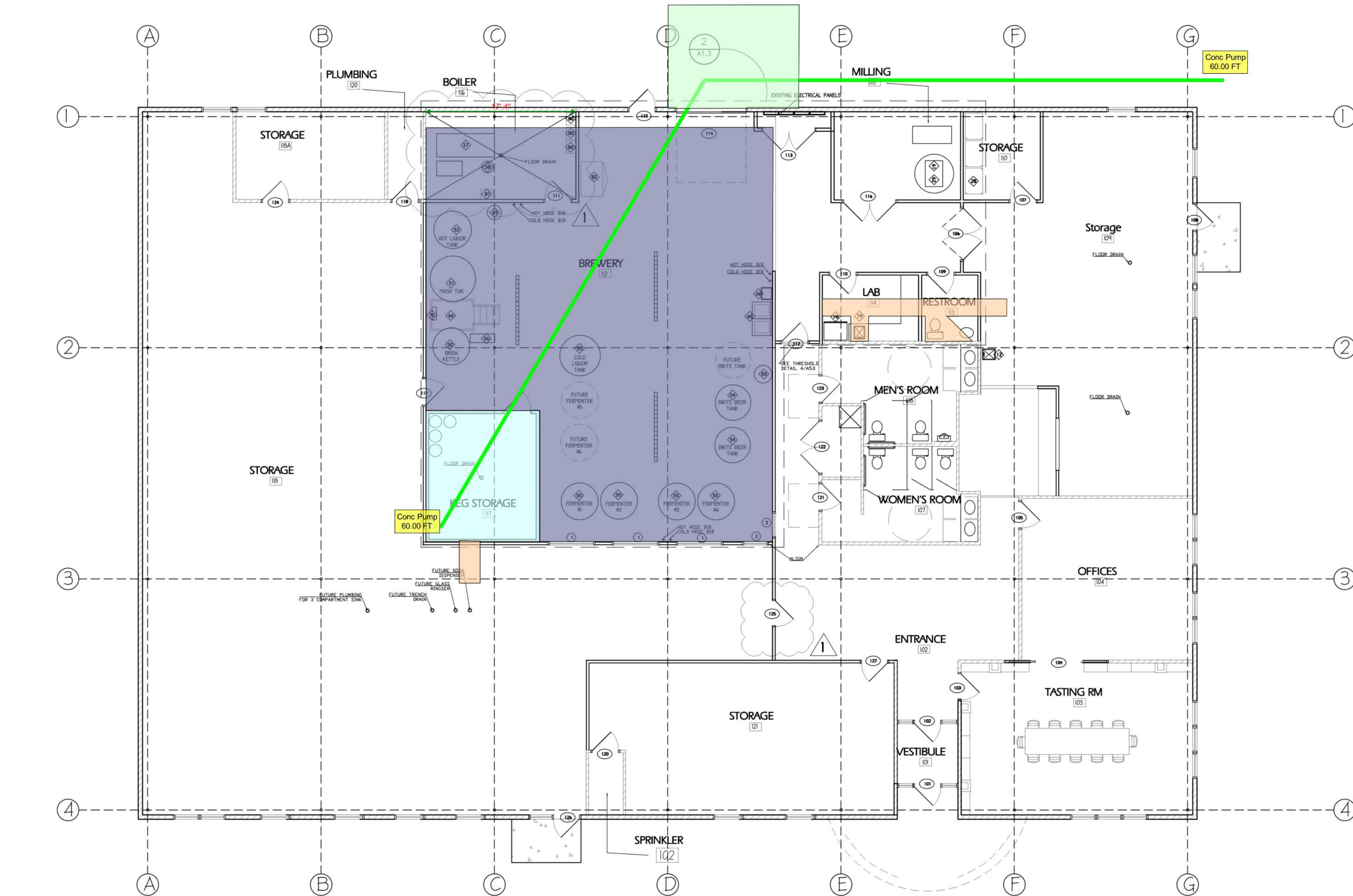
Window Schedule									
Wdw	Width	Height	Thickness	Material	Type	Frame	Hardware	Notes	
1	4'-2"	4'-2"	3'-0"	TMP	FIXED	AL, PTD	PT-X		
2	3'-0"	3'-0"	3'-0"	TMP	FIXED	AL, PTD	PT-X		
3	N/A								

Notes:
1) See 3/A1.0 for 'Window Types.'
2) Tenant to select hardware with GC.

MTL - Insulated Metal
HMTL - Hollow Metal
PNT - Painted
AL - ALUMINUM
TMP - Tempered Glass

WINDOW SCHEDULE

4



BUILDING PLAN

SYMBOLS:

- 3A WALL TYPE
- 101 ROOM NUMBER
- EQUIPMENT NUMBER
- 1 WINDOW NUMBER
- 102 DOOR NUMBER
- 2/AT ENLARGED PLAN
- EXISTING CONSTRUCTION

- GENERAL NOTES:
- INTERIOR WALL PARTITIONS ARE 3-5/8" METAL STUD UNLESS OTHERWISE NOTED.
 - CONTRACTOR TO VERIFY ALL EXISTING DIMENSIONS AND CONDITIONS.
 - REFER TO A4.0 FOR PLAN DETAILS, WALL TYPES AND INTERIOR ELEVATIONS.
 - REFER TO MEP DRAWINGS FOR ALL ELECTRICAL & MECHANICAL DETAILS.
 - ALL ELECTRICAL OUTLETS IN BREWERY TO BE WATERPROOF GFI.
 - IN LIEU OF DETAILS, SEE MANUFACTURER'S SPECIFICATION FOR INSTALLATION DETAILS AND REQUIREMENTS.

ADDENDA / REVISIONS

DATE	USE	INITIALS
2015.07.21	REVIEW	HTC
2016.04.10	REVIEW	K*P
2016.06.16	PERMIT	K*P
2016.07.12	REVISION	K*P

1/8"=1'-0" 5