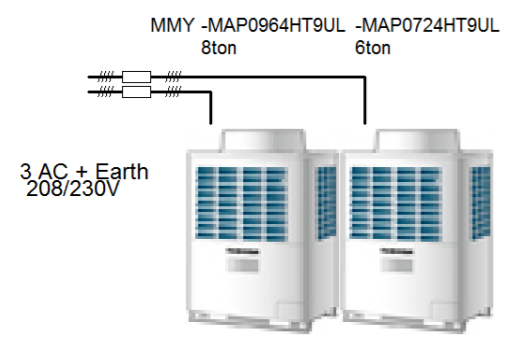


**Project Name** Highpoint Collective LLC Renovation  
**Unit Name** OU-1

# Piping & Wiring Schematic

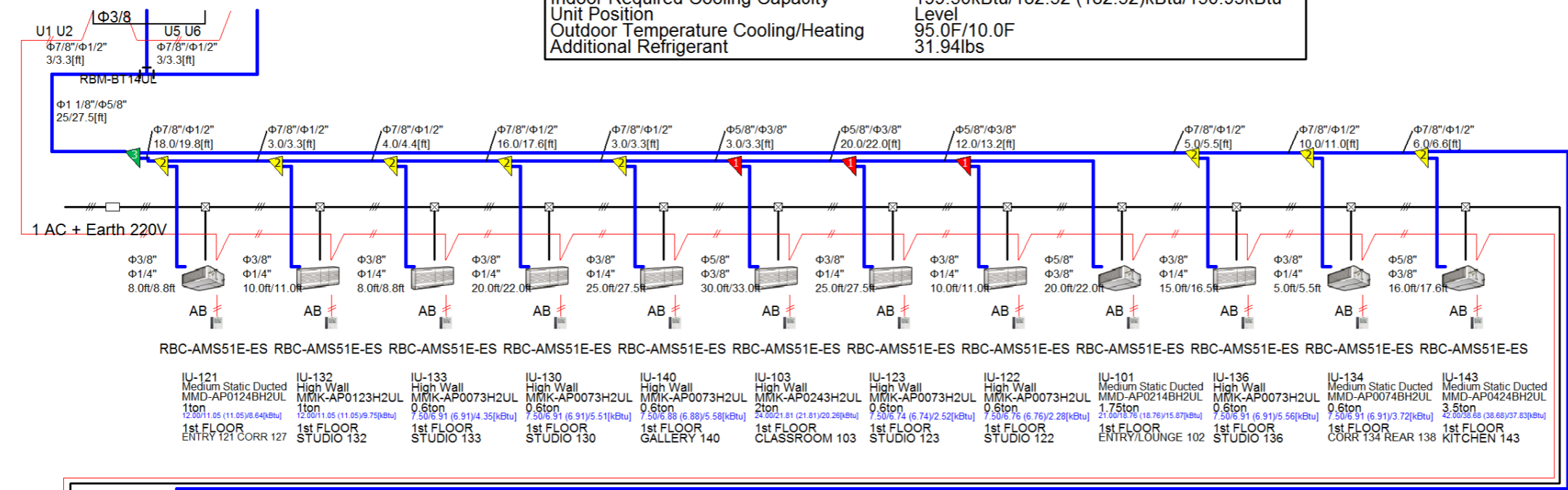


Control Wiring			
Name	Label	Wiring	Wiring Size and Length
Outdoor - Indoor Control Wiring	U2	2-core Non-polarity Shielded cable	AWG16: Up to 3280 ft (1000 m)
Central Control Wiring	U3 U4	2-core Non-polarity Shielded cable	AWG14: Up to 6560 ft (2000 m)
Outdoor Units Control Wiring	U5 U6	2-core Non-polarity Shielded cable	AWG16 to AWG14/Up to 330 ft (100 m)
Remote Controller Wiring	AB	2-core	AWG20 to AWG14 - Up to 1640 ft (500 m) - Up to 330 ft (100 m) in case of wireless remote control in group control - Up to 660 ft (200 m) total length of control wiring between indoor units

Product Name	Model Name	Q'ty
Outdoor Unit(s)	MMY-AP1684HT9UL	1
Outdoor Joint(s)	RBM-BT14UL	1
Indoor Unit(s)	MMK-AP0073H2UL	6
Indoor Unit(s)	MMK-AP0123H2UL	2
Indoor Unit(s)	MMK-AP0243H2UL	2
Indoor Unit(s)	MMD-AP0074BH2UL	1
Indoor Unit(s)	MMD-AP0424BH2UL	1
Indoor Unit(s)	MMD-AP0124BH2UL	1
Indoor Unit(s)	MMD-AP0214BH2UL	1
Y-Joint(s)	RBM-BY55UL	4
Y-Joint(s)	RBM-BY105UL	8
Y-Joint(s)	RBM-BY205UL	1
R/C	RBC-AMS51E-ES	14
BMS System	BMS-SM1280HTLUL	1

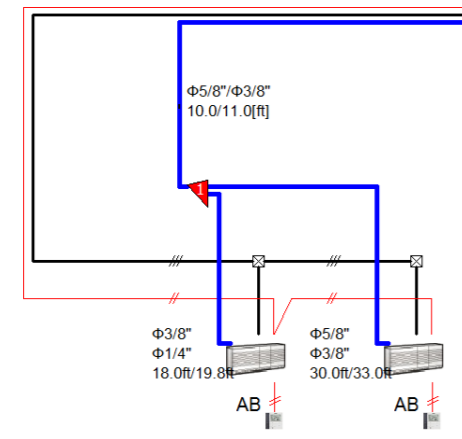
Refrigerant Cycle No.  
Outdoor Name  
Outdoor Type  
Model Name  
Horsepower  
Outdoor Capacity  
Indoor Required Cooling Capacity  
Unit Position  
Outdoor Temperature Cooling/Heating  
Additional Refrigerant

OU-1  
SMMS-i  
MMY-AP1684HT9UL  
14ton  
168.00kBtu/157.24kBtu/--kBtu/--kBtu  
199.50kBtu/182.52 (182.52)kBtu/150.93kBtu  
Level  
95.0F/10.0F  
31.94lbs



RBC-AMS51E-ES RBC-AMS51E-ES RBC-AMS51E-ES RBC-AMS51E-ES RBC-AMS51E-ES RBC-AMS51E-ES RBC-AMS51E-ES RBC-AMS51E-ES RBC-AMS51E-ES RBC-AMS51E-ES RBC-AMS51E-ES RBC-AMS51E-ES RBC-AMS51E-ES

IU-121	IU-132	IU-133	IU-130	IU-140	IU-103	IU-123	IU-122	IU-101	IU-136	IU-134	IU-143
Medium Static Ducted	High Wall	High Wall	High Wall	High Wall	High Wall	High Wall	High Wall	Medium Static Ducted	High Wall	Medium Static Ducted	Medium Static Ducted
MMD-AP0124BH2UL	MMK-AP0123H2UL	MMK-AP0073H2UL	MMK-AP0073H2UL	MMK-AP0073H2UL	MMK-AP0243H2UL	MMK-AP0073H2UL	MMK-AP0073H2UL	MMD-AP0214BH2UL	MMK-AP0073H2UL	MMD-AP0074BH2UL	MMD-AP0424BH2UL
1ton	1ton	0.6ton	0.6ton	0.6ton	2ton	0.6ton	0.6ton	1.75ton	0.6ton	0.6ton	3.5ton
12.00/11.05 (11.05)/8.64(kBtu)	12.00/11.05 (11.05)/9.75(kBtu)	7.50/6.91 (6.91)/4.35(kBtu)	7.50/6.91 (6.91)/5.51(kBtu)	7.50/6.88 (6.88)/5.58(kBtu)	24.00/21.91 (21.91)/20.28(kBtu)	7.50/6.74 (6.74)/2.52(kBtu)	7.50/6.76 (6.76)/2.28(kBtu)	21.00/18.76 (18.76)/15.87(kBtu)	7.50/6.91 (6.91)/5.56(kBtu)	7.50/6.91 (6.91)/3.72(kBtu)	42.00/38.68 (38.68)/37.83(kBtu)
1st FLOOR	1st FLOOR	1st FLOOR	1st FLOOR	1st FLOOR	1st FLOOR	1st FLOOR	1st FLOOR	1st FLOOR	1st FLOOR	1st FLOOR	1st FLOOR
ENTRY 121 CORR 127	STUDIO 132	STUDIO 133	STUDIO 130	GALLERY 140	CLASSROOM 103	STUDIO 123	STUDIO 122	ENTRY/LOUNGE 102	STUDIO 136	CORR 134 REAR 138	KITCHEN 143



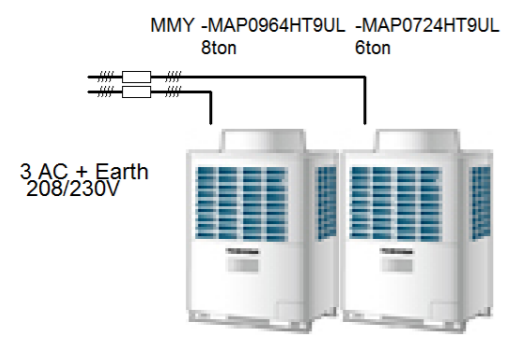
RBC-AMS51E-ES RBC-AMS51E-ES

IU-145	IU-210
High Wall	High Wall
MMK-AP0123H2UL	MMK-AP0243H2UL
1ton	2ton
12.00/11.05 (11.05)/10.54(kBtu)	24.00/22.10 (22.10)/18.52(kBtu)
1st FLOOR	2nd FLOOR
STUDIO 145	STUDIO 210

1	RBM-HY1043UL
2	RBM-HY2043UL
3	RBM-HY1083UL
4	RBM-HY2083UL
1	RBM-BY55UL
2	RBM-BY105UL
3	RBM-BY205UL

Project Name Highpoint Collective LLC Renovation  
Unit Name OU-2

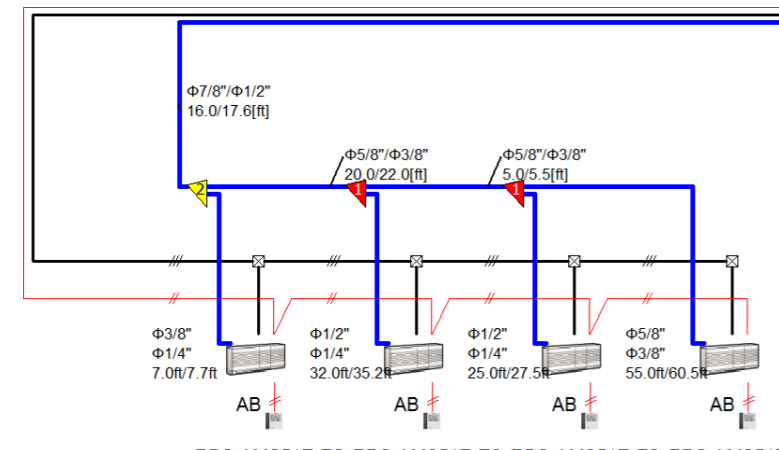
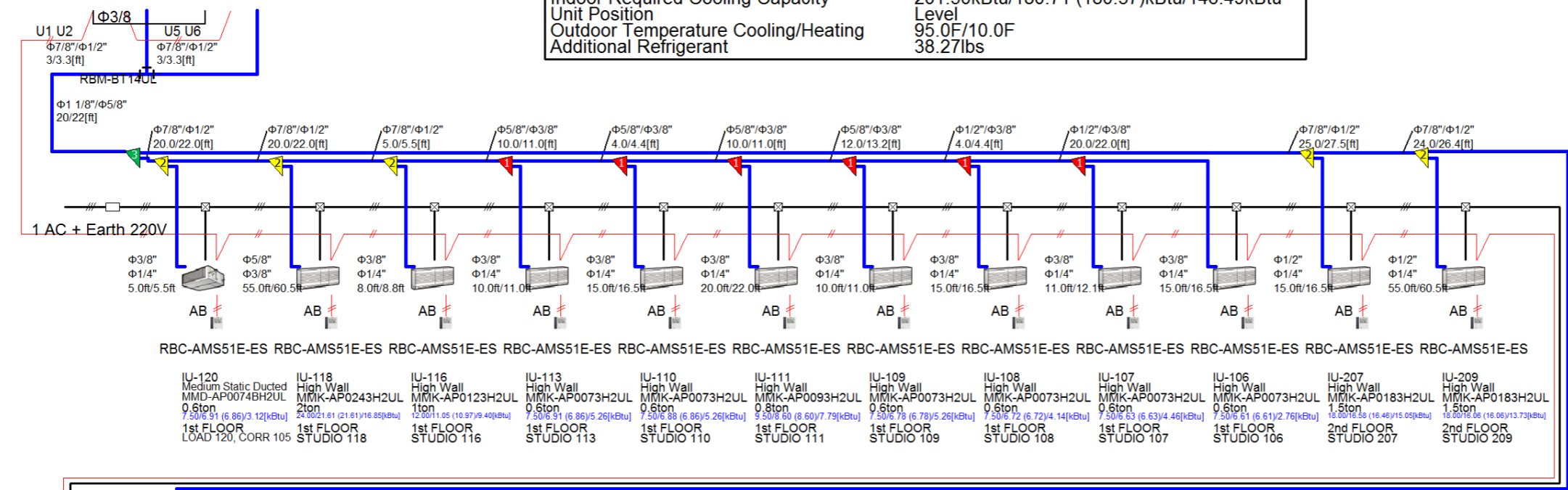
# Piping & Wiring Schematic



Control Wiring Name	Label	Wiring	Wiring Size and Length
Outdoor - Indoor Control Wiring	U2	2-core Non-polarity Shielded cable	AWG16: Up to 3280 ft (1000 m)
Central Control Wiring	U3 U4	2-core Non-polarity Shielded cable	AWG14: Up to 6560 ft (2000 m)
Outdoor Units Control Wiring	U5 U6	2-core Non-polarity Shielded cable	AWG16 to AWG14/Up to 330 ft (100 m)
Remote Controller Wiring	AB	2-core	AWG20 to AWG14 - Up to 1640 ft (500 m) - Up to 1310 ft (400 m) in case of wireless remote control in group control - Up to 660 ft (200 m) total length of control wiring between indoor units

Product Name	Model Name	Q'ty
Outdoor Unit(s)	MMY-AP1684HT9UL	1
Outdoor Joint(s)	RBM-BT14UL	1
Indoor Unit(s)	MMK-AP0073H2UL	7
Indoor Unit(s)	MMK-AP0093H2UL	1
Indoor Unit(s)	MMK-AP0123H2UL	1
Indoor Unit(s)	MMK-AP0183H2UL	4
Indoor Unit(s)	MMK-AP0243H2UL	2
Indoor Unit(s)	MMD-AP0074BH2UL	1
Y-Joint(s)	RBM-BY55UL	8
Y-Joint(s)	RBM-BY105UL	6
Y-Joint(s)	RBM-BY205UL	1
R/C	RBC-AMS51E-ES	16
BMS System	BMS-SM1280HTLUL	1

Refrigerant Cycle No. OU-2  
 Outdoor Name SMMS-i  
 Outdoor Type MMY-AP1684HT9UL  
 Model Name  
 Horsepower 14ton  
 Outdoor Capacity 168.00kBtu/153.56kBtu/--kBtu/--kBtu  
 Indoor Required Cooling Capacity 201.50kBtu/180.71 (180.37)kBtu/146.49kBtu  
 Unit Position Level  
 Outdoor Temperature Cooling/Heating 95.0F/10.0F  
 Additional Refrigerant 38.27lbs



1	RBM-HY1043UL
2	RBM-HY2043UL
3	RBM-HY1083UL
4	RBM-HY2083UL
1	RBM-BY55UL
2	RBM-BY105UL
3	RBM-BY205UL