

VRF SYSTEM CENTRAL CONTROLLER ("Smart manager") WIRING

System diagram	Model	Reference No.
<p>Carrier provided Smart manager</p> <p>Carrier provided Power unit</p> <p>AC 120V-1-60 Power supply</p> <p>16/2 AWG shielded & stranded control wiring</p> <p>TCC-link bus (14 indoor units)</p> <p>OU-1</p> <p>TCC-link bus (16 indoor units)</p> <p>OU-2</p> <p>RS-485</p> <p>Digital I/O signal Max In3 /Out2</p> <p>Alarm Key lock</p> <p>Ethernet</p> <p>Intranet</p> <p>Max4 PC simultaneous access</p> <p>Monitor/Control /Setting</p> <p>Monthly report creation software</p> <p>Energy monitoring Relay I/F</p> <p>Max4</p> <p>Pulse signal</p> <p>Power Meter</p> <p>Max8</p> <p>Digital I/O Relay I/F</p> <p>Max4</p> <p>Digital I/O signal</p> <p>Alarm Door key Error</p> <p>Max In 8/Out 4</p> <p>Power meter: Pulse width:50-1000ms Pulse generator constants (kWh/pulse) 0.1-99.9</p> <p>For detail, refer to "1-9-4 Overall Central Control System Specification Table"</p>	<ul style="list-style-type: none"> • Smart manager BMS-SM1280HTLUL • Setting file creation software • Monthly report creation software • "1:1 model" connection • TCC-Link Interface TCB-PCNT31TLUL • Energy monitoring Relay I/F BMS-IFWH5UL • Digital I/O Relay I/F BMS-IFDD03UL • Wired Remote control RBC-AMT32UL • Wireless Remote control RBC-AX31U(W)-UL, RBC-AX22CUL, TCB-AX21UL • Wired Remote control with schedule timer RBC-AMS51E-ES 	<p>4-7-3</p> <p>These are all options within cloud and are not specified for project</p>

SMMSi/ SHRMi VRF Controls and Accessories BMS-SM1280HTLUL - Smart Manager

TOSHIBA
Carrier

Submittal Data

Job Data _____ Location _____
 Buyer _____ Buyer PO # _____ Carrier # _____
 Unit Number _____ Model Number _____
 Performance Data Certified By _____ Date _____



MAX 128 INDOOR UNITS PER SMART MANAGER
(2 TCC links with 64 units each)

SMMSi/ SHRMi VRF Smart Manager Features

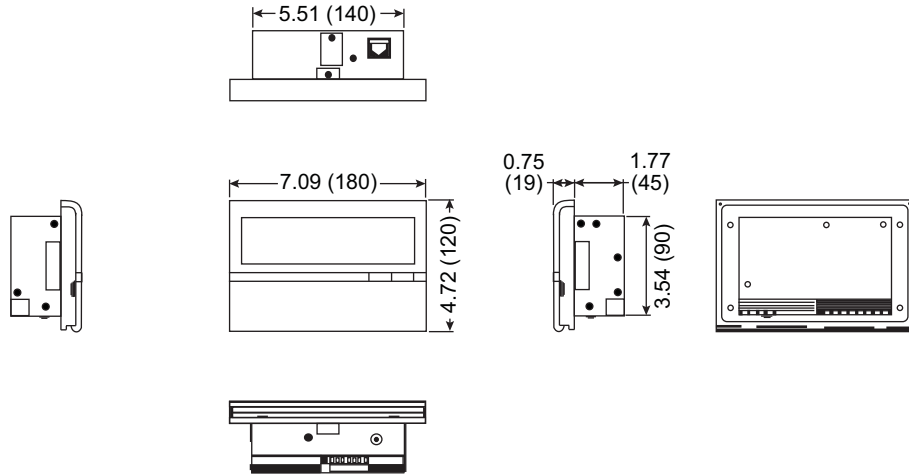
- Displays all units on one screen
- Shows basic indoor unit setting on main screen
- Advance operation and master schedule functions are available
- Up to 4 concurrent web browser users can be connected simultaneously
- Up to 32 users accounts can be programmed with different levels of access (at least one must be administrator level)
- Energy monitoring and report creation functions are available
- Advance operation and master schedules can be set on a calendar
- Additional digital I/O device available
- Thin profile controller and separate power supply unit enables easy installation
- Up to 10 scheduled events / day, 32 separate schedule patterns / year

PART NAME		SMART MANAGER	POWER UNIT
Model Number		BMS-SM1280HTLUL	
Power Supply		Use bundled power unit	120 VAC, 60 Hz
Power Consumption			6 W (SM1280) / 4 W (CM1281)
Connectable unit number	Indoor Unit	Up to 128 units Line 1: Up to 64 units Line 2: Up to 64 units	—
	Energy monitoring interface	Up to 4 units	—
	Digital input / output interface	Up to 4 units	—
Operating temperature / humidity		32 to 104 F (0 to 40 C), 10 to 90% RH (no condensation)	
Dimension		4.72 (H) x 7.09 (W) x 2.52 (D) in. (120 (H) x 180 (W) x 64 (D) mm)	4.49 (H) x 6.97 (W) x 1.97 (D) in. (114 (H) x 177 (W) x 50 (D) mm)
Weight lb (kg)		1.77 (0.8)	1.99 (0.9)

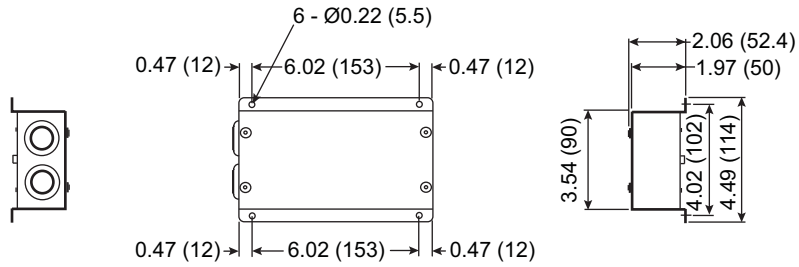
Manufacturer reserves the right to discontinue, or change at any time, specifications or designs without notice and without incurring obligations.

DIMENSIONAL DRAWING SMART MANAGER BMS-SM1280HTLUL

CENTRAL CONTROLLER



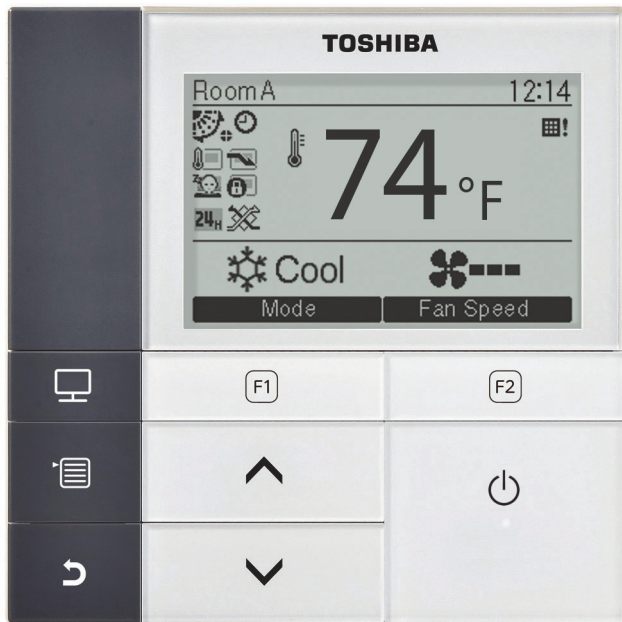
POWER UNIT



NOTE: Dimensions are in inches (mm).

Submittal Data

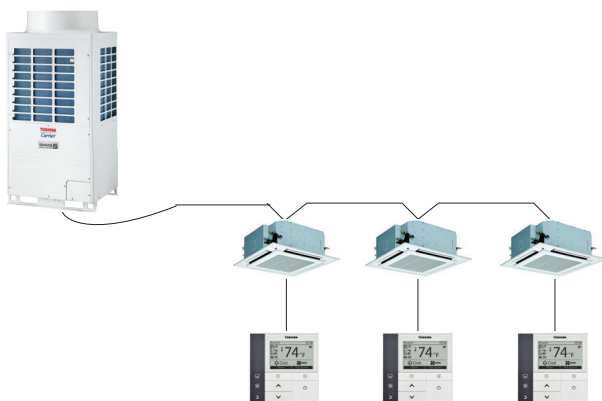
Job Data _____ Location _____
 Buyer _____ Buyer PO # _____ Carrier # _____
 Unit Number _____ Model Number _____
 Performance Data Certified By _____ Date _____



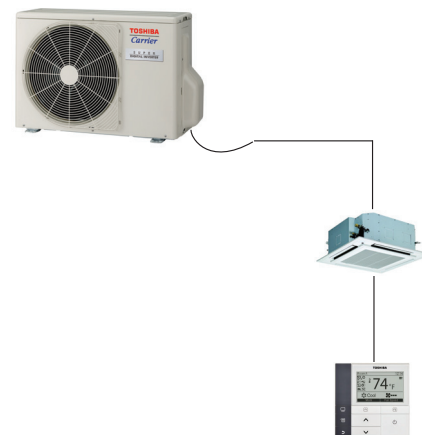
SMMSi / SHRMi VRF Lite Vision Plus Remote Controller Features

- Back lit remote controller for VRF and RAV units
- Monitor/control of indoor unit (dependent on connected indoor unit)
 - ON/OFF
 - Mode of operation
 - Set temperature
 - Space temperature
 - Fan speed
 - Air direction
 - Weekly timer
- Temperature display in 1°F
- Set temperature range limiting
- Individual louver control
- Multiple languages (English, Spanish, French, German, Dutch, Portuguese)
- DN code setting

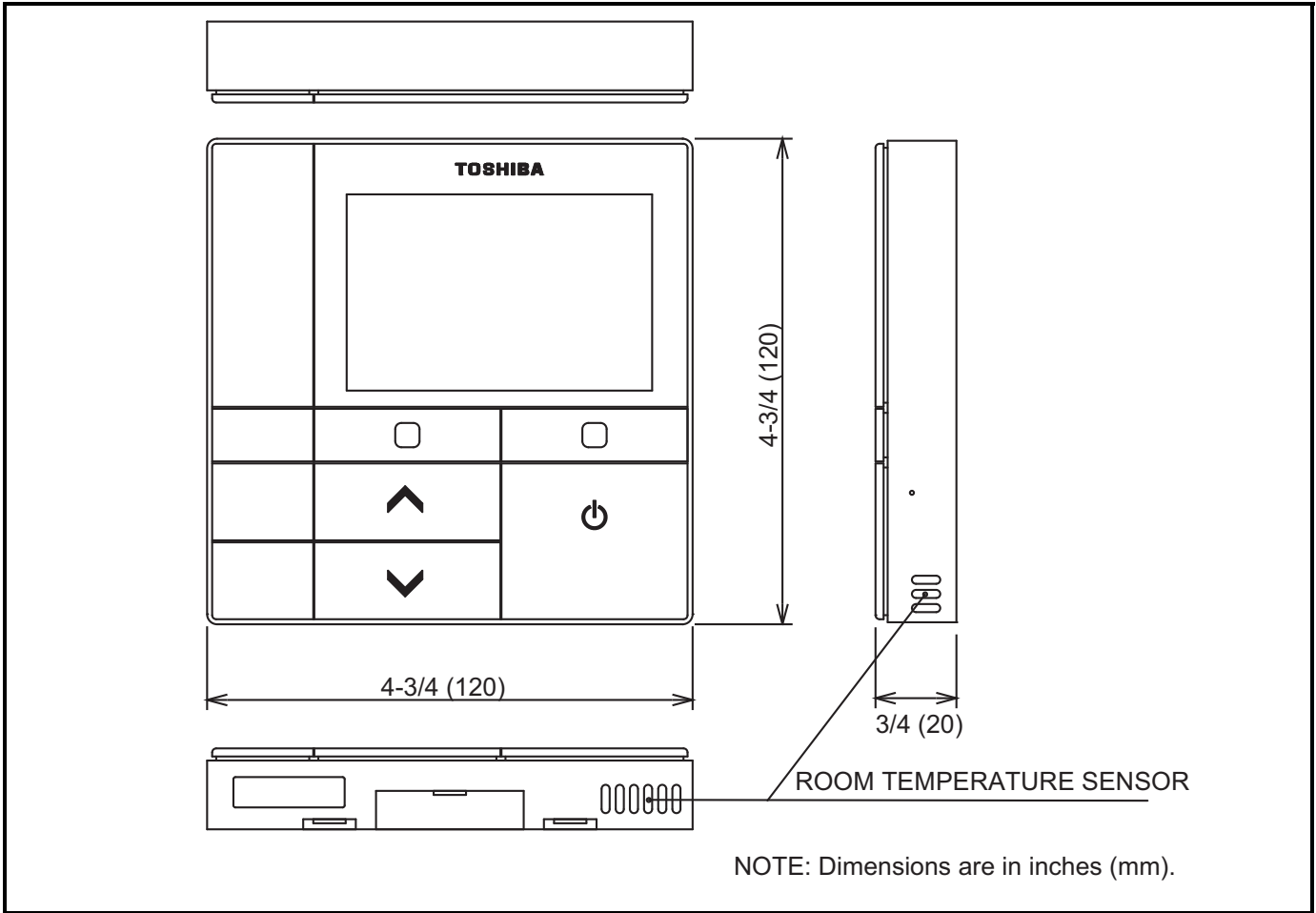
VRF SYSTEM DIAGRAM



RAV SYSTEM DIAGRAM



DIMENSIONAL DRAWING LITE VISION PLUS REMOTE CONTROLLER RBC-AMS51E-ES



WIRING DIAGRAM

